

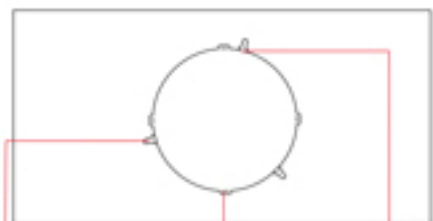
**Metal Earth.**  
3D METAL MODEL KITS

**Golden Snitch**  
Item No. MMS442

**360° view**



It is highly recommended that you visit [www.metalearth.com/360/mms442](http://www.metalearth.com/360/mms442) to see the completed model before assembling your own



Insertion tabs are inserted and then folded

Insertion holes

Fold lines can be seen as shown here

**Legends:**

- Engraved side
- Non-engraved side
- Attention point
- Insert tab and bend 90 degrees
- Insert tab and twist 90 degrees

**Assembly tip:**

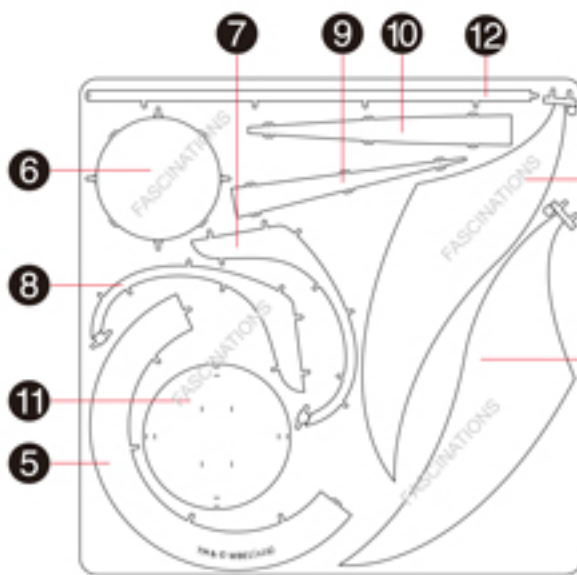
If needed, slightly twist tabs to hold parts together then untwist and bend them down for a nice finish

**Recommended tools:**

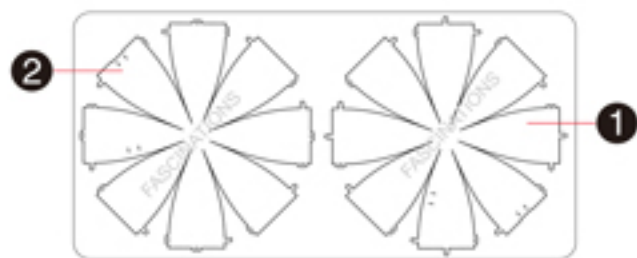
-Wire cutters: helpful for taking parts from the metal sheets.



-Tweezers or needle nose pliers: helpful for folding parts, bending and twisting tabs.



**Metal sheets**



In order to avoid possible injury from sharp edges, please carefully discard the metal sheet after parts have been removed

**Assembly Flow Chart**

