

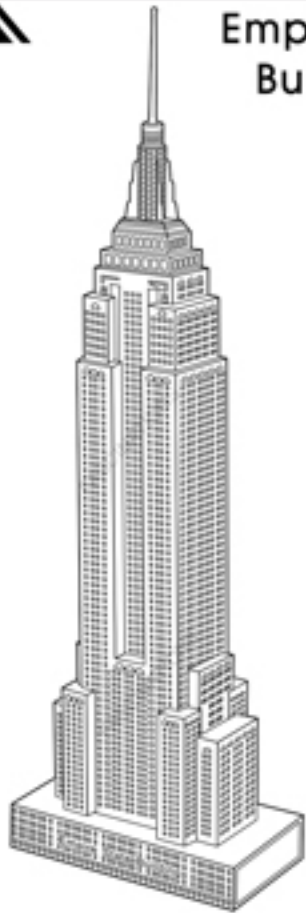


It is highly recommended that you visit www.metalearth.com/360/icx010 to see the completed model before assembling your own

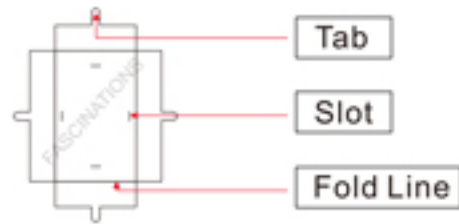
ICX010



Empire State Building



TO CREATE THE BEST CONNECTIONS



Legends:

- E** Engraved side
- NE** Non-engraved side
- Attention point
- Insert tab and bend 90 degrees
- Insert tab and twist 90 degrees

Recommended tools:

-Wire cutters: helpful for taking parts from the metal sheets.



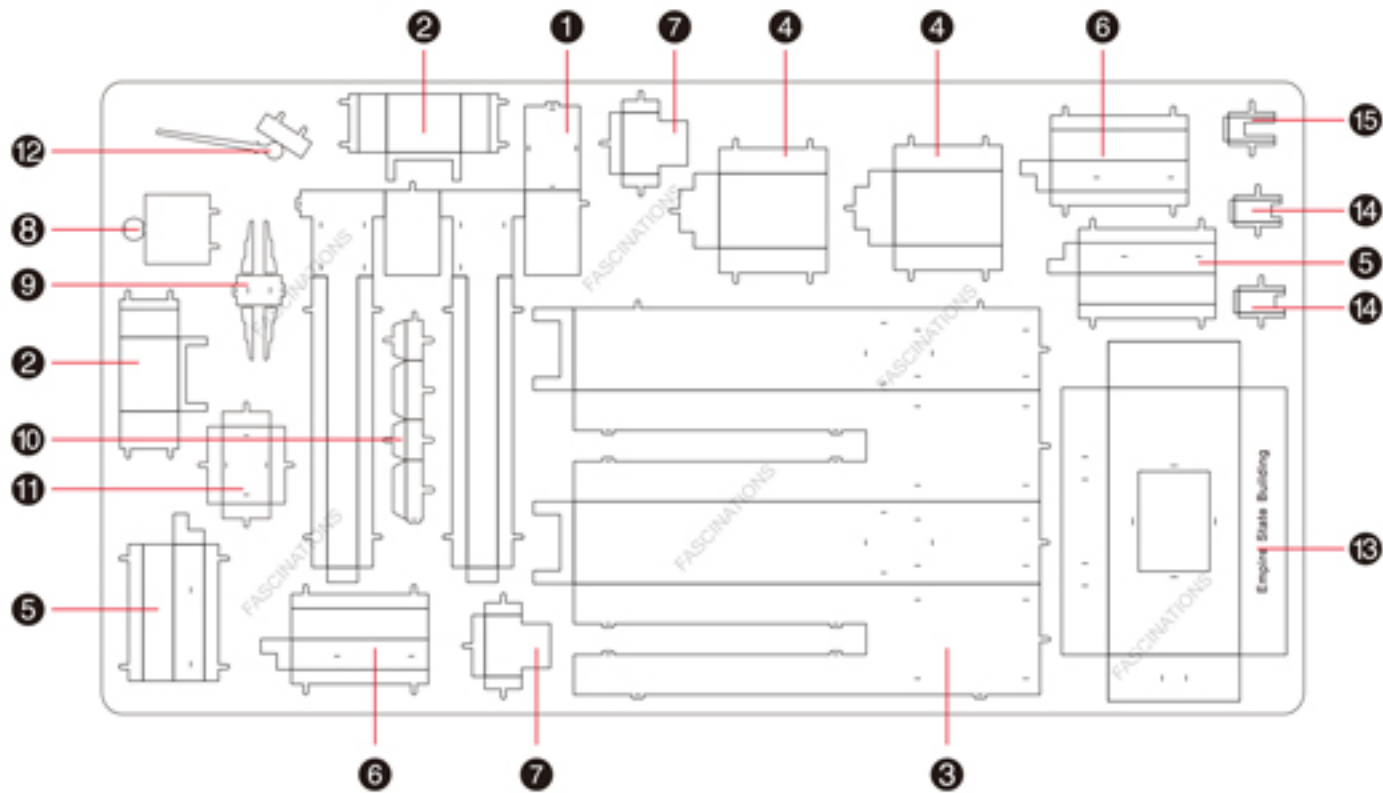
-Tweezers or needle nose pliers: helpful for folding parts, bending and twisting tabs.



Assembly tip:

If needed, slightly twist tabs to hold parts together then untwist and bend them down for a nice finish

METAL SHEET



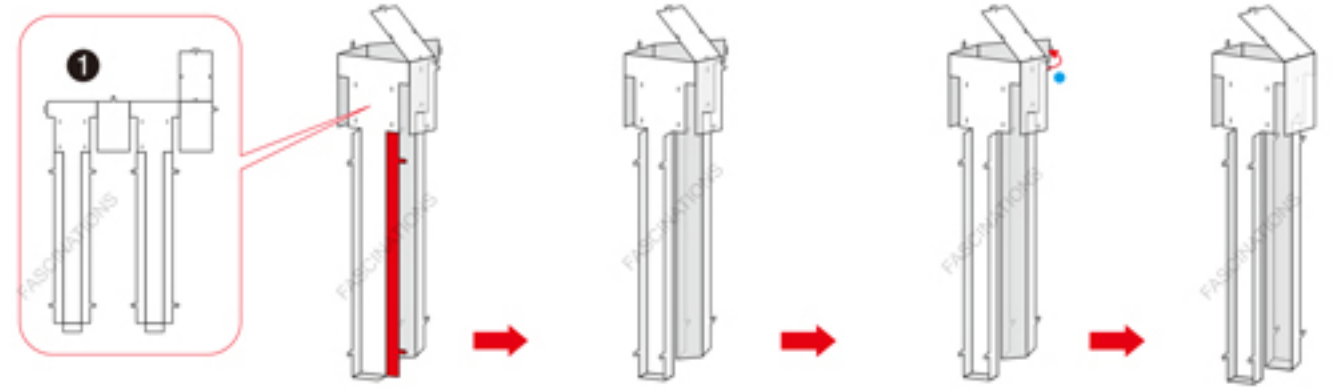
In order to avoid possible injury from sharp edges, please carefully discard the metal sheet after parts have been removed.



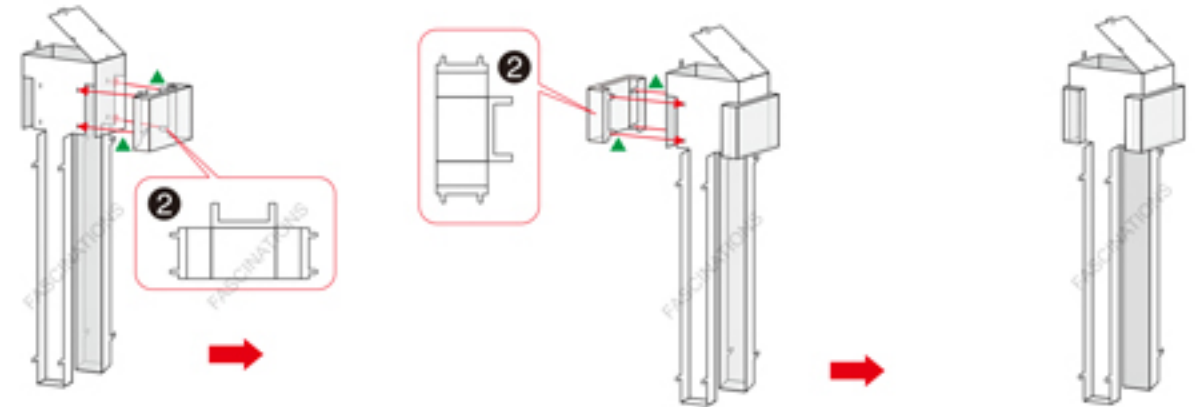
Go to www.metalearth.com/360/icx010 to see the zoomable PDF version of this instruction sheet

ASSEMBLY STEPS

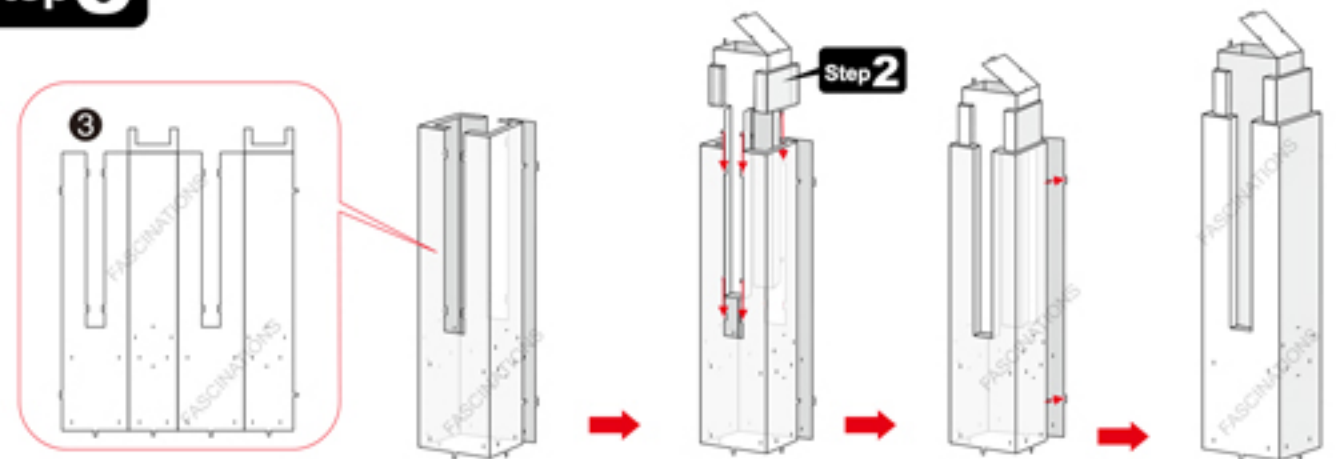
Step 1



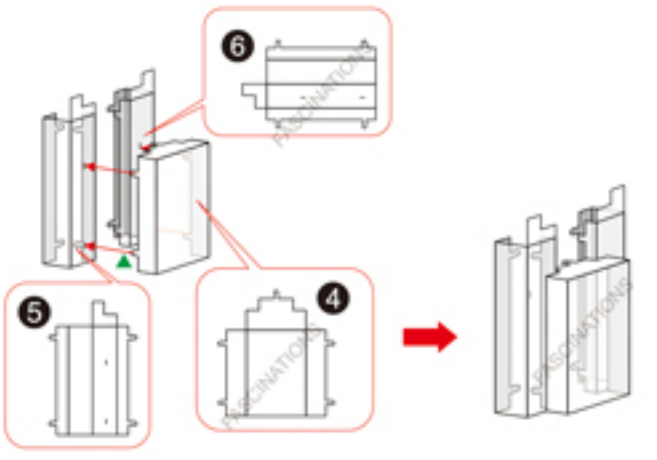
Step 2



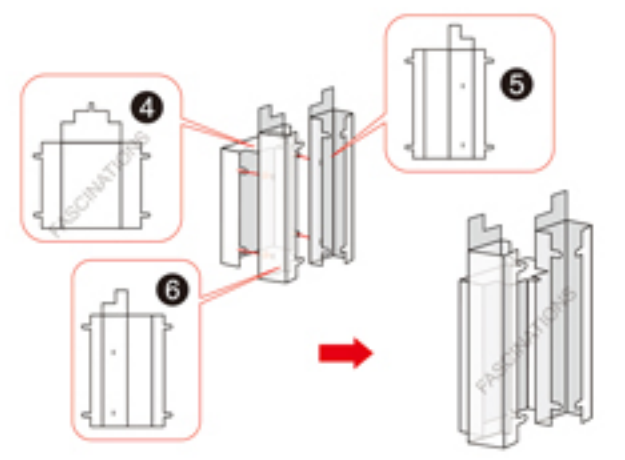
Step 3



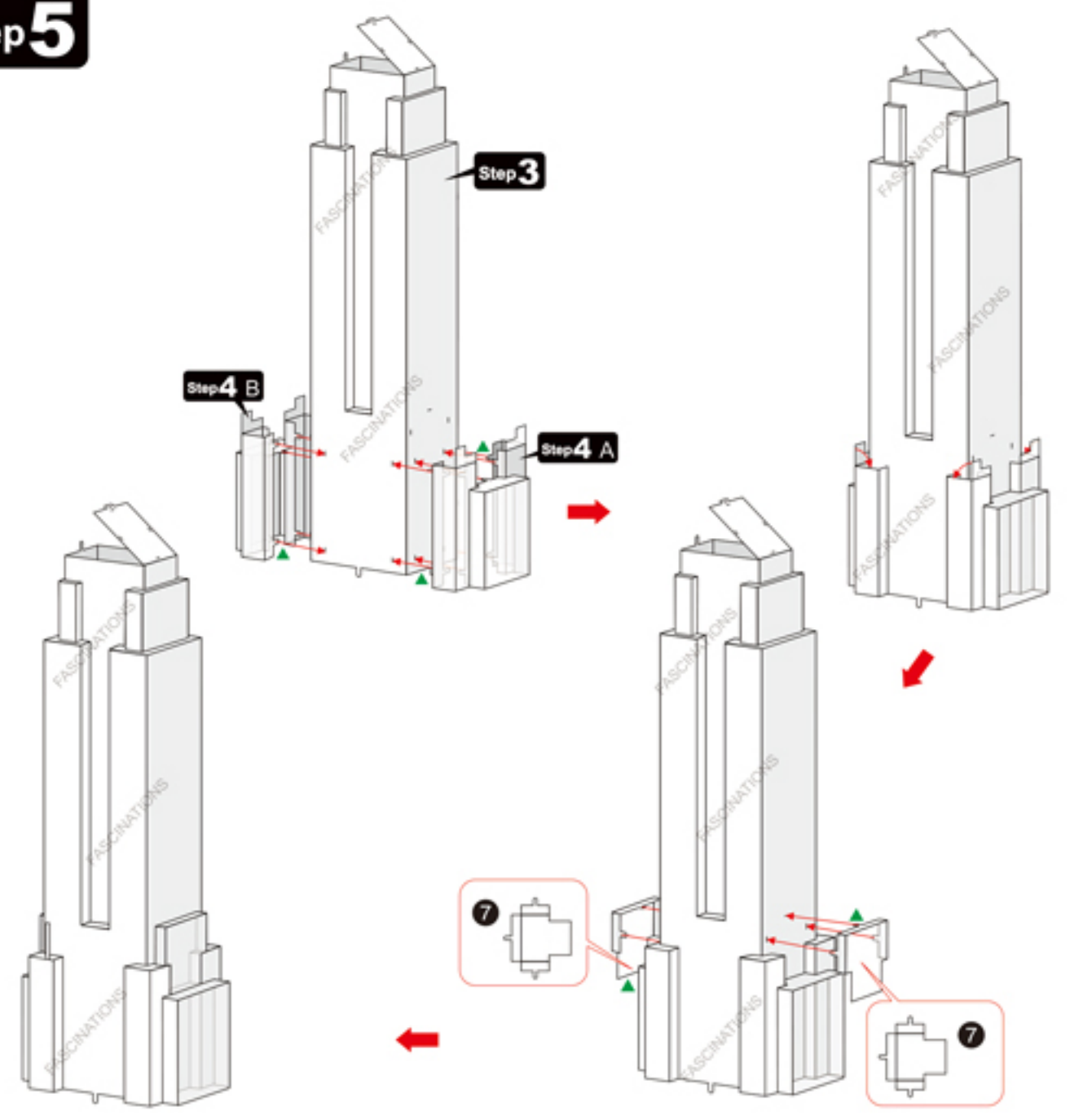
Step 4 A



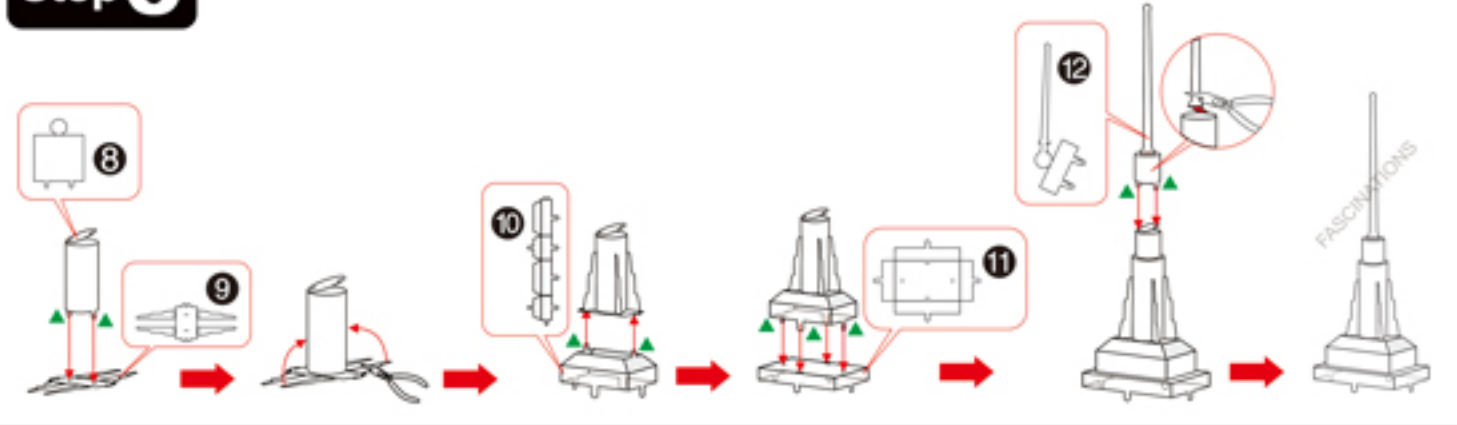
Step 4 B



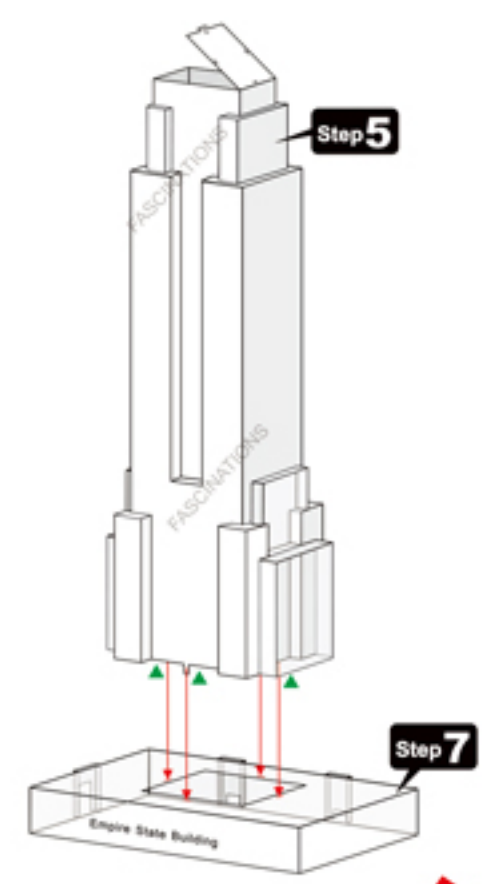
Step 5



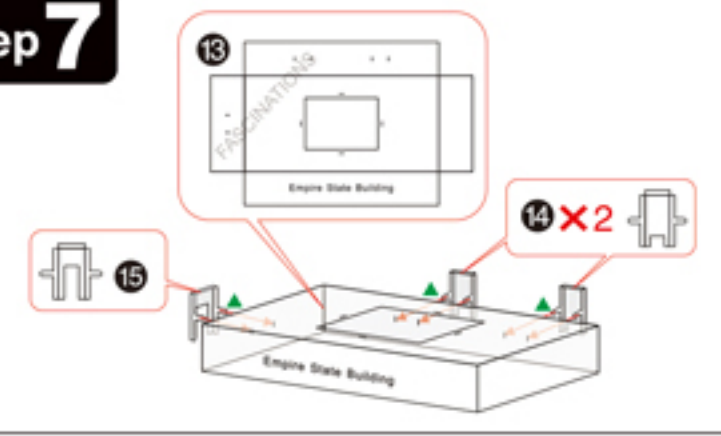
Step 6



Step 8



Step 7



Fascinations
 ©2014 Fascinations Seattle, WA
 www.metalearth.com

