

Sears Tower



It is highly recommended that you visit www.fascinations.com/iconx360/icon013 to see the completed model before assembling your own



FASCINATIONS, INC.
Seattle, Washington, USA

Go to www.fascinations.com/iconx360/icon013 to see the zoomable PDF version of this instruction sheet

ICX013

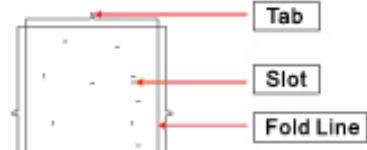
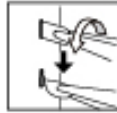


TO CREATE THE BEST CONNECTIONS

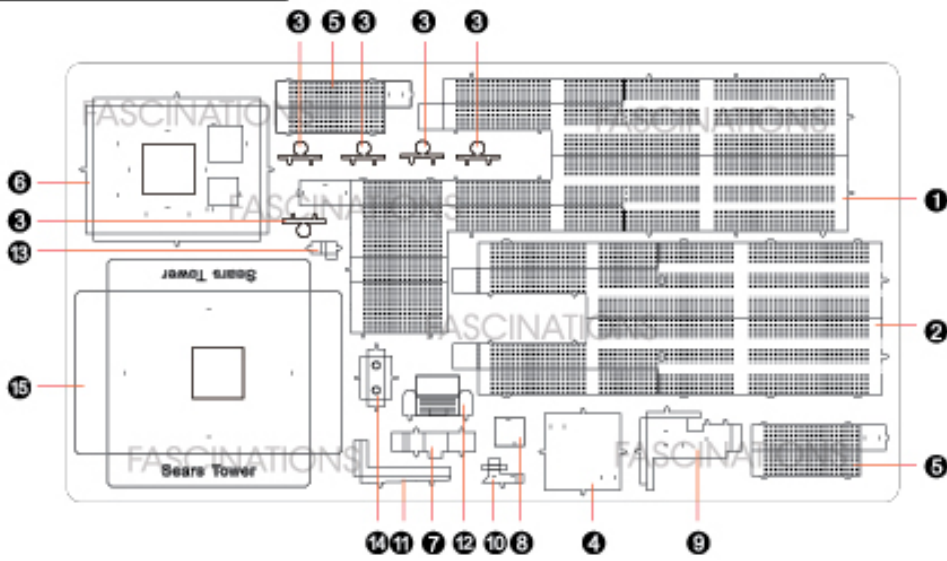
● Insert tab into slot and bend 90 degrees



▲ Insert tab into slot and twist 90 degrees



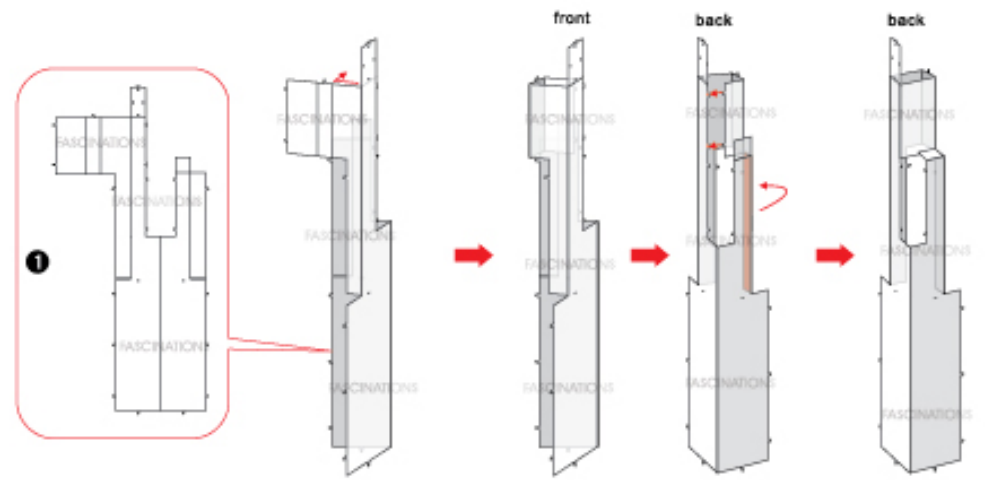
METAL SHEET



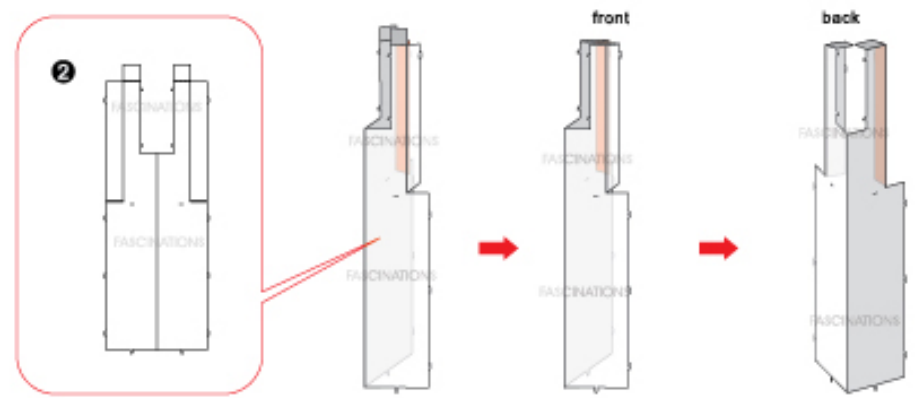
! In order to avoid possible injury from sharp edges, please carefully discard the metal sheet after parts have been removed.

ASSEMBLY STEPS

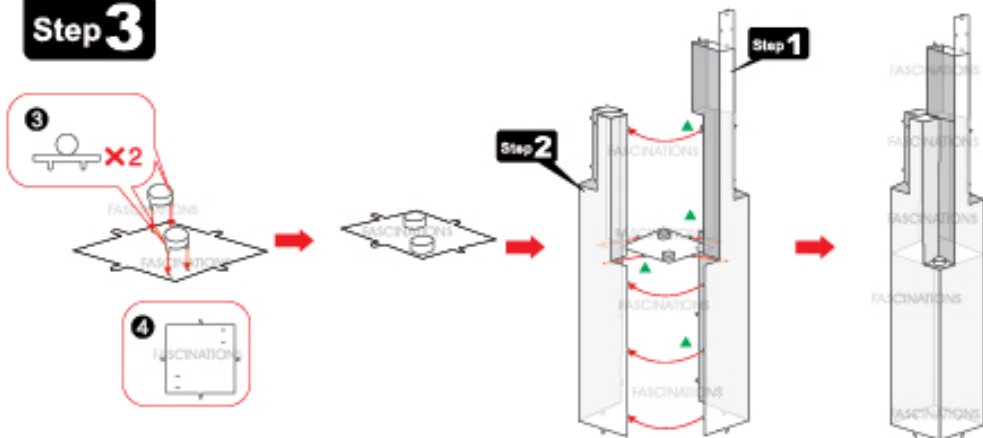
Step 1



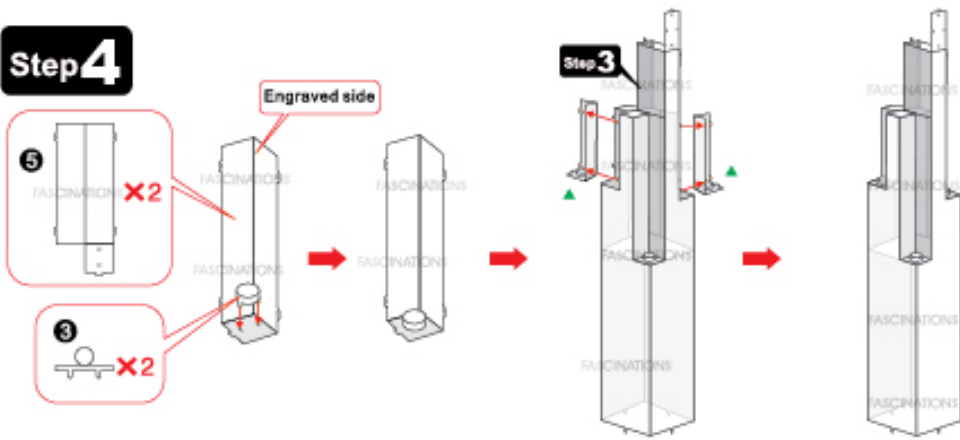
Step 2



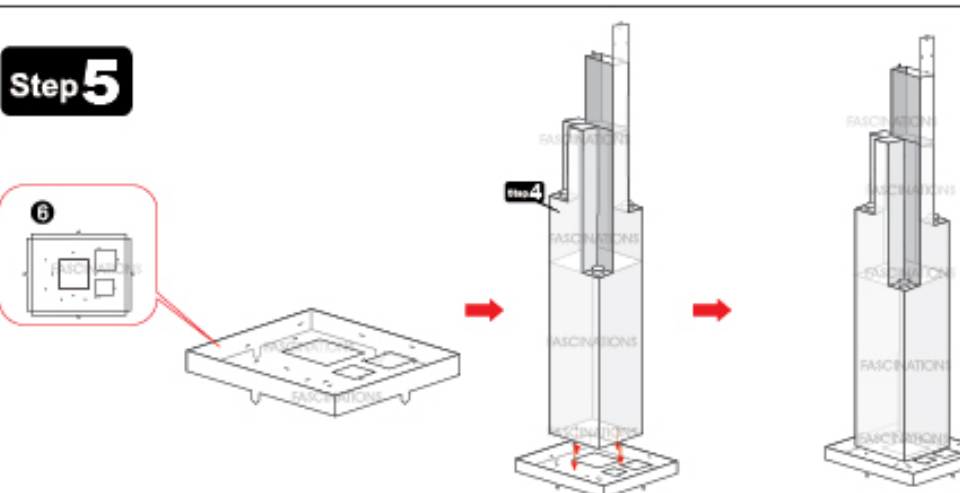
Step 3



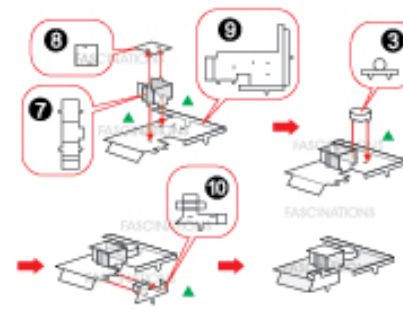
Step 4



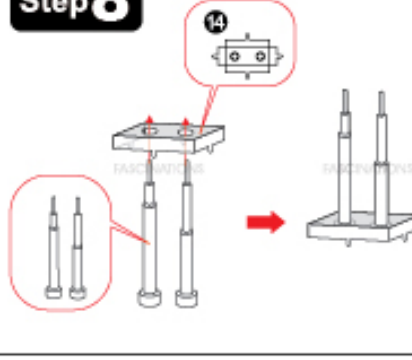
Step 5



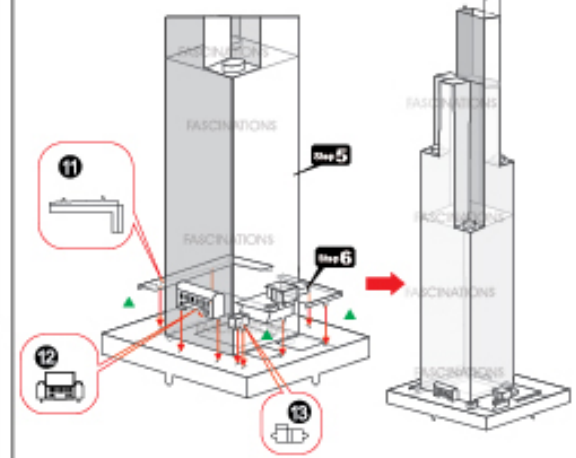
Step 6



Step 8



Step 7



Step 9

