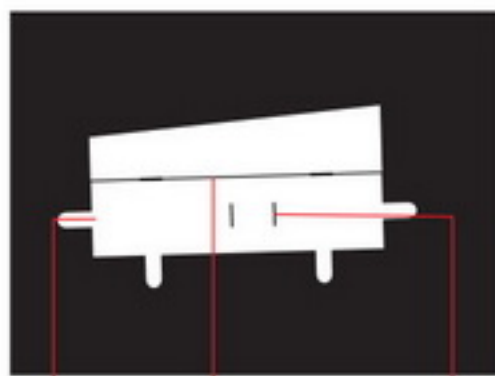


METAL EARTH™

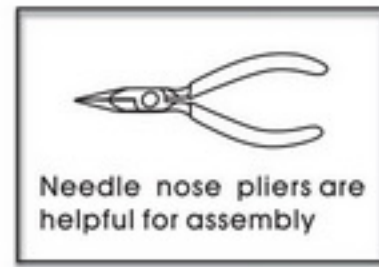
3D LASER CUT MODELS



It is highly recommended that you visit
www.fascinations.com/metalearth360/mms029
 to see the completed model before assembling your own



Insertion tabs are inserted and then folded
 Fold lines can be seen as shown here
 Insertion holes

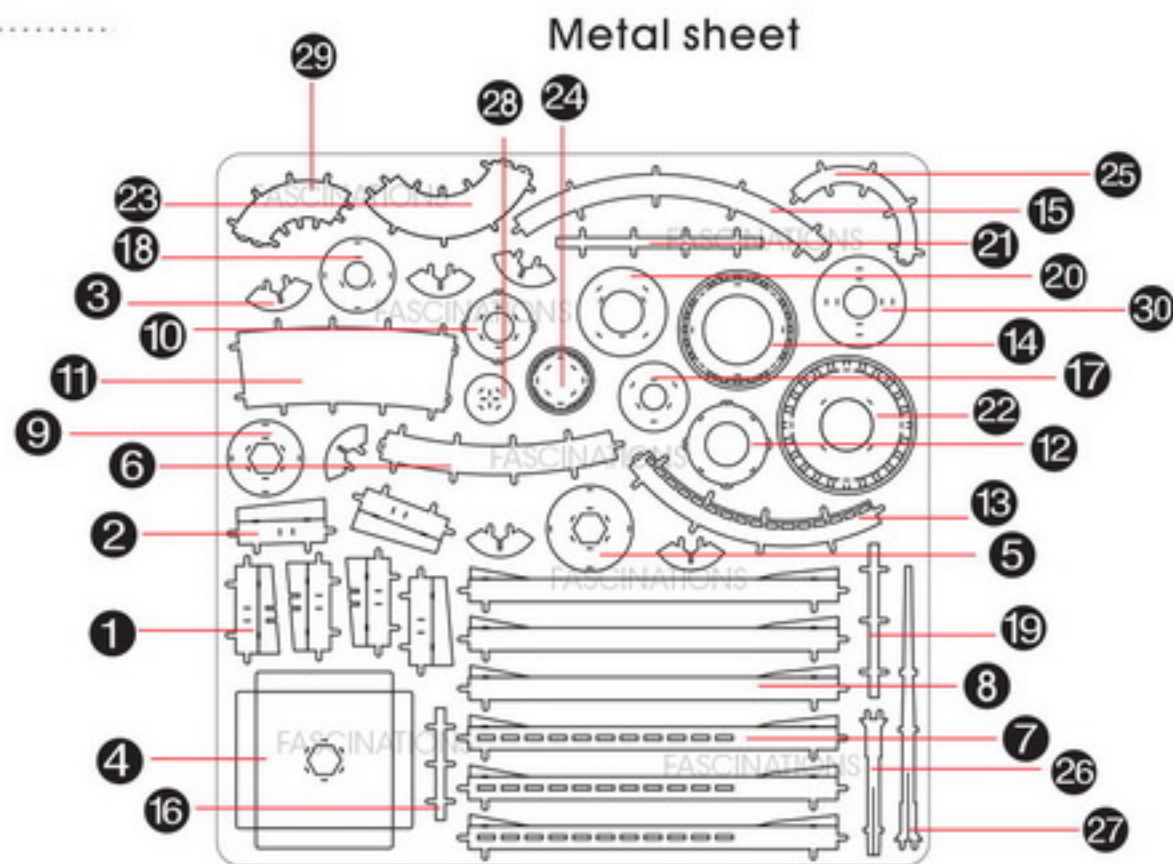
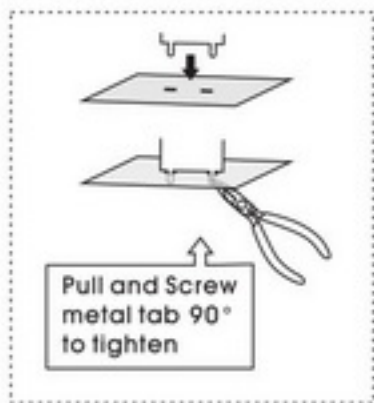


Needle nose pliers are helpful for assembly

To create the best connections

Insert tab and bend 90 degrees for most visible areas

Insert tab and twist 90 degrees is best in some areas to ensure a tight connection



Assembly Flow Chart

