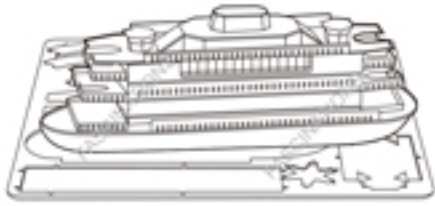


# Metal Earth.

3D METAL MODEL KITS



**Commuter Ferry**  
Item No. MMS068



It is highly recommended that you visit [www.metal-earth.com/360/mms068](http://www.metal-earth.com/360/mms068) to see the completed model before assembling your own

**Legends:**

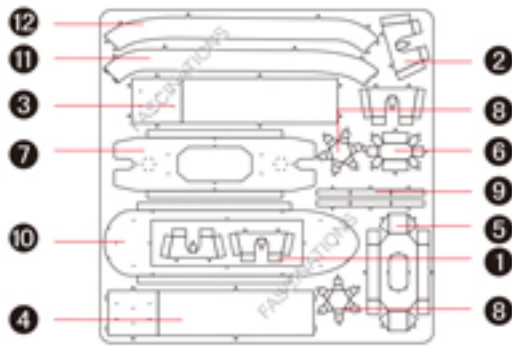
- E** Engraved side
- NE** Non-engraved side
- Attention point
- Insert tab and bend 90 degrees
- Insert tab and twist 90 degrees

**Recommended tools:**

- Wire cutters: helpful for taking parts from the metal sheets.
- Tweezers or needle nose pliers: helpful for folding parts, bending and twisting tabs.

**Assembly tip:**  
If needed, slightly twist tabs to hold parts together then untwist and bend them down for a nice finish

### Metal sheet



**⚠** In order to avoid possible injury from sharp edges, please carefully discard the metal sheet after parts have been removed

### Assembly Flow Chart

