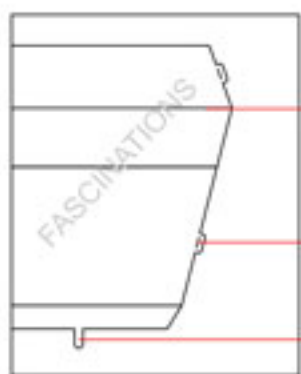
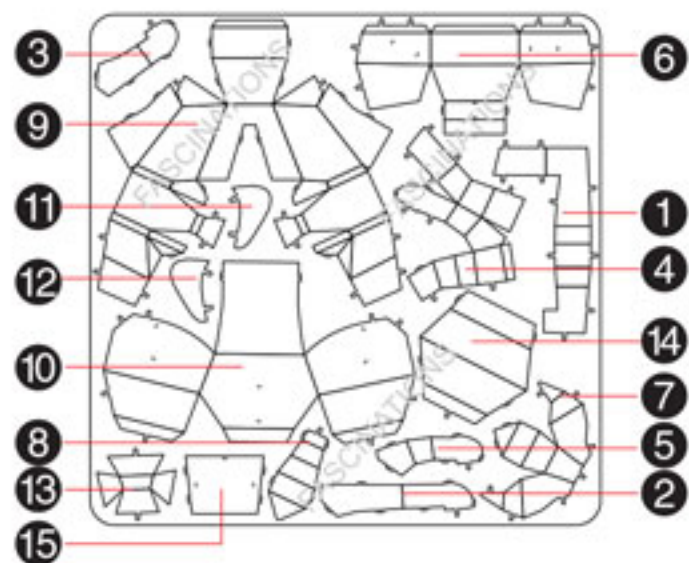


Metal Earth. LEGENDS



ROCKET



Fold lines can be seen as shown here

Insertion holes

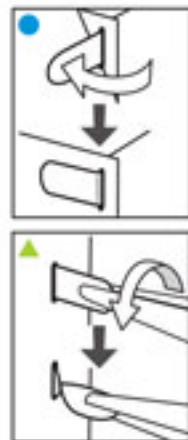
Insertion tabs are inserted and then folded or twisted

Tweezers or needle nose pliers are helpful for assembly.

To create the best connections

● Insert tab and bend 90 degrees for most visible areas

▲ Insert tab and twist 90 degrees is best in some areas to ensure a tight connection



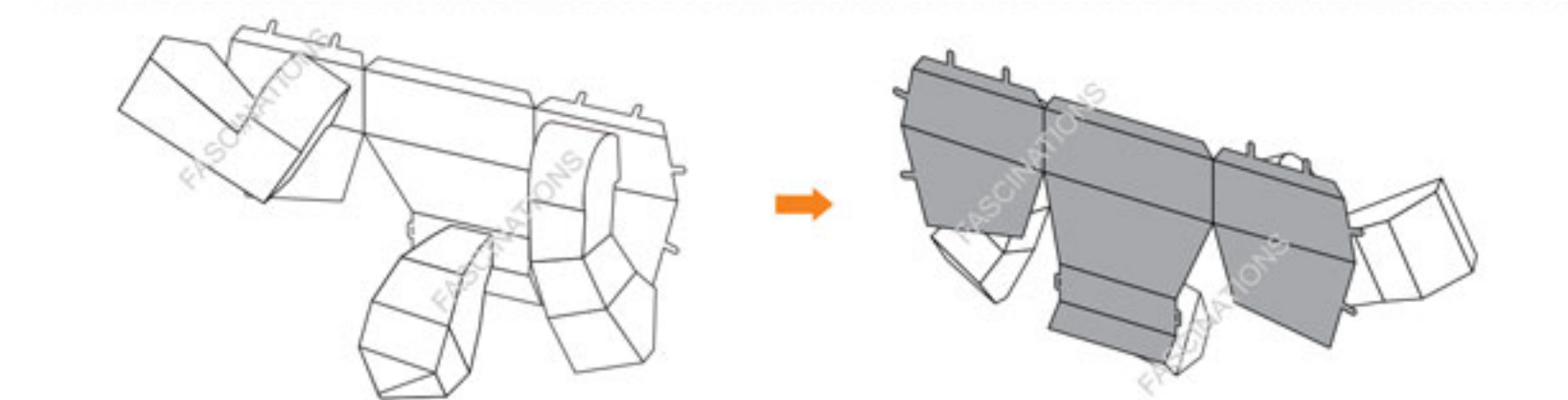
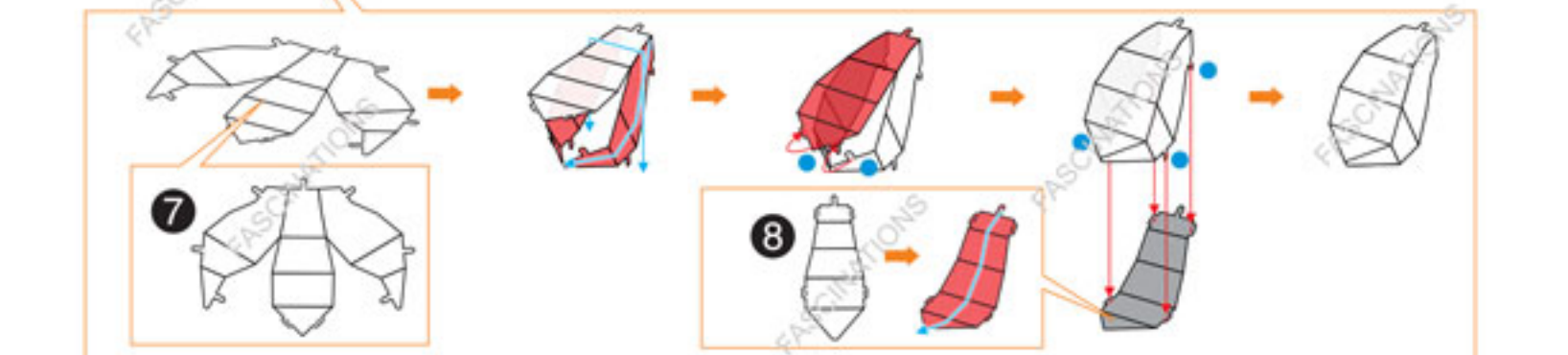
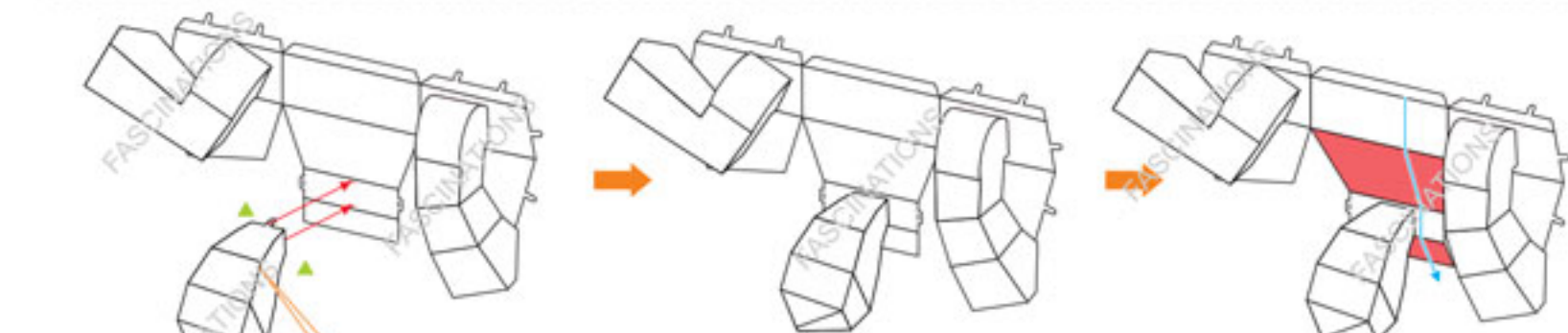
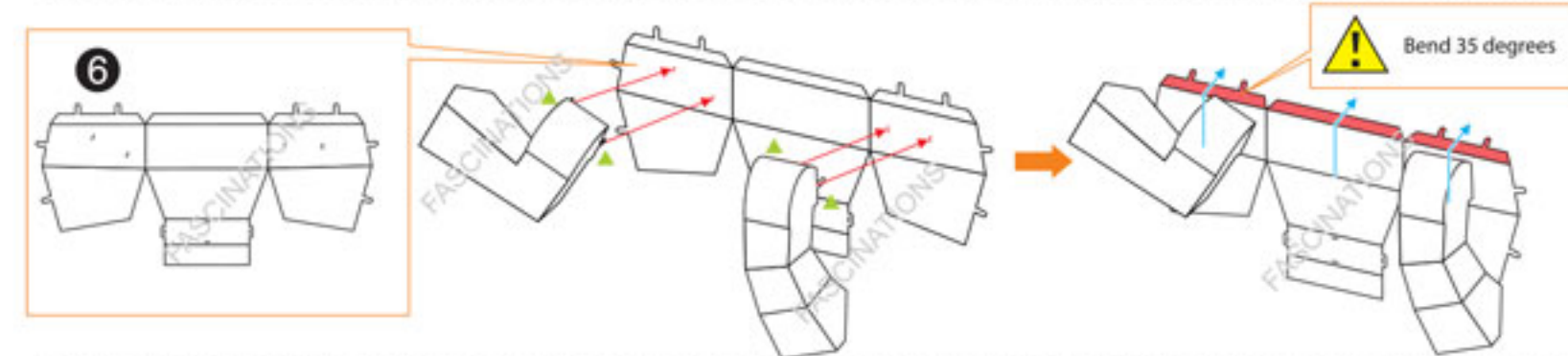
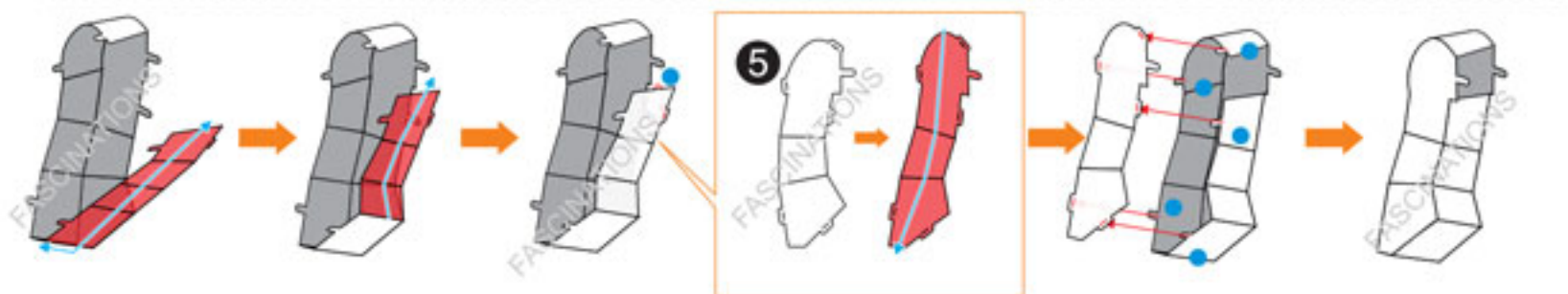
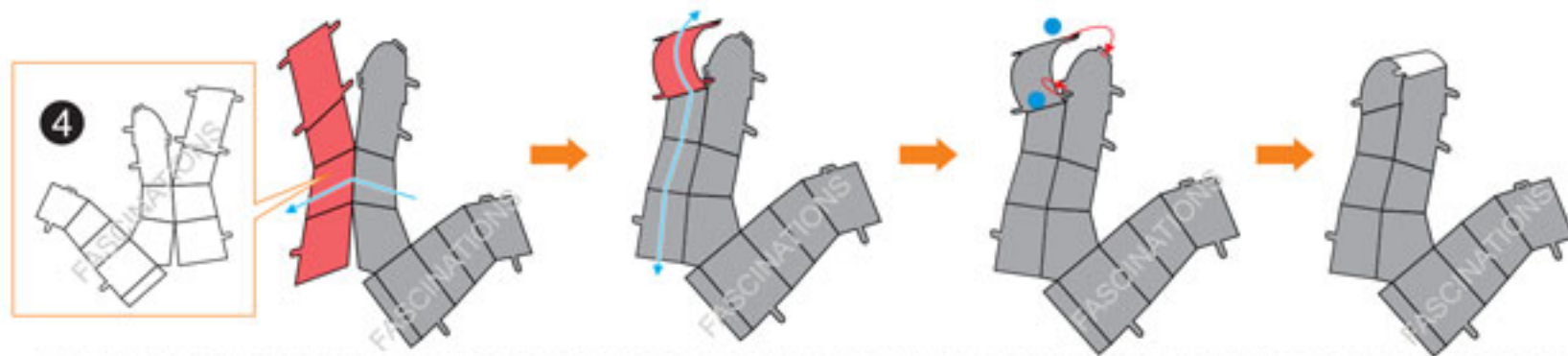
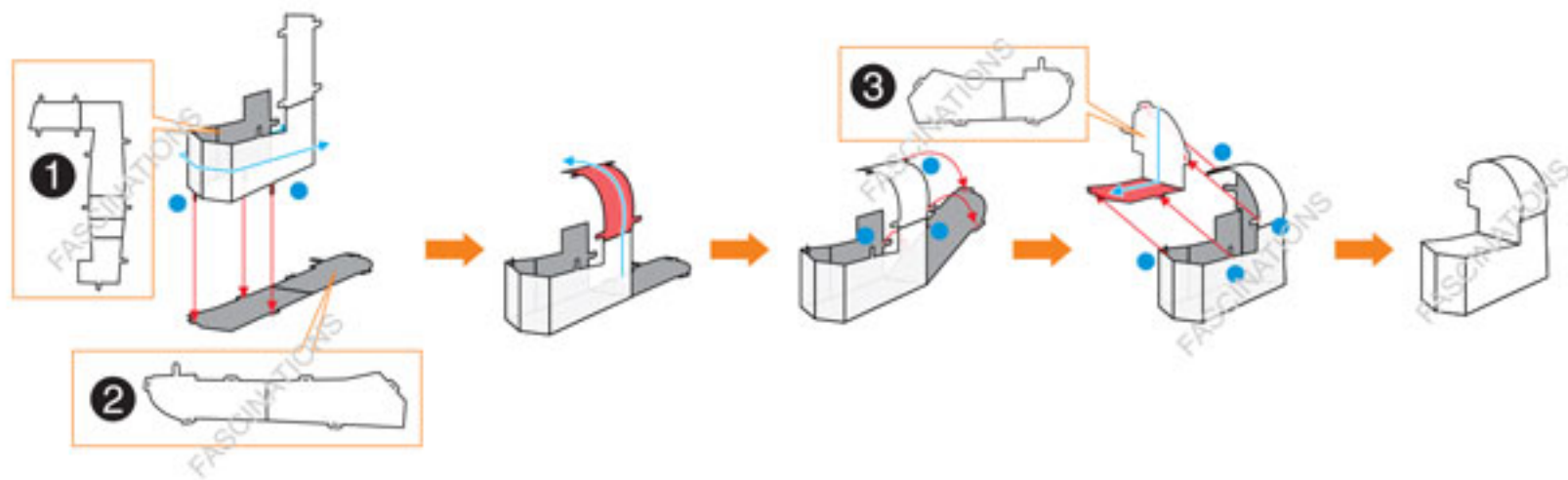
360° view

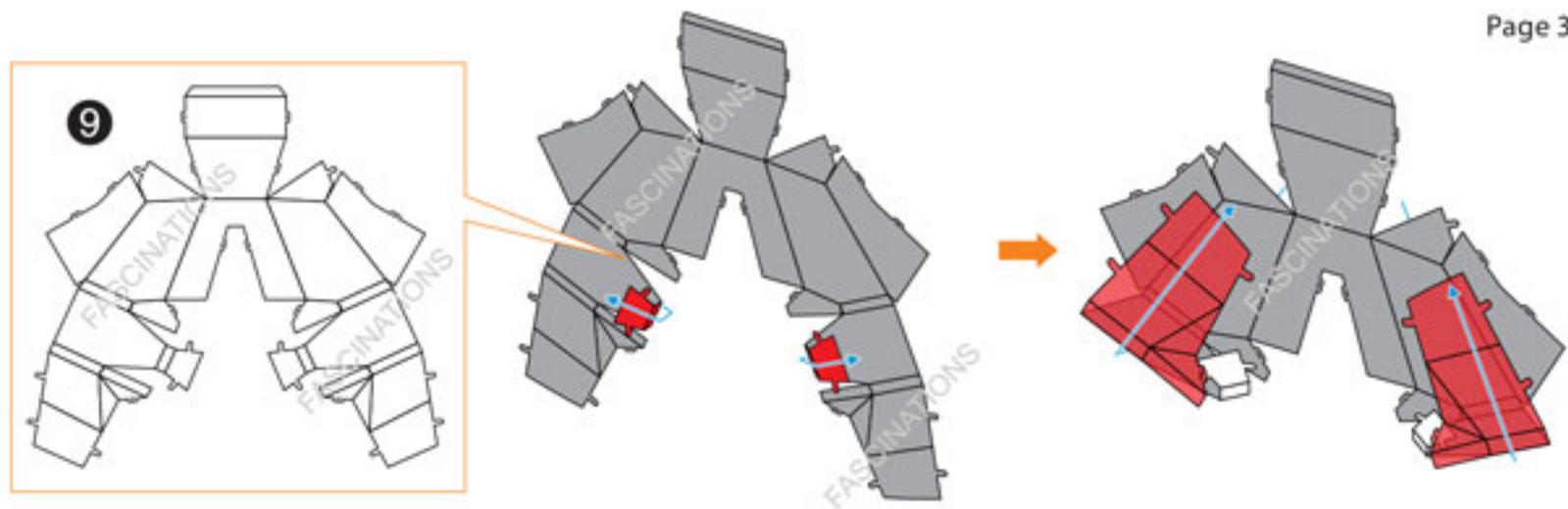


It is recommended that you visit www.metalearth.com/help/mem008 for more information when assembling this model.

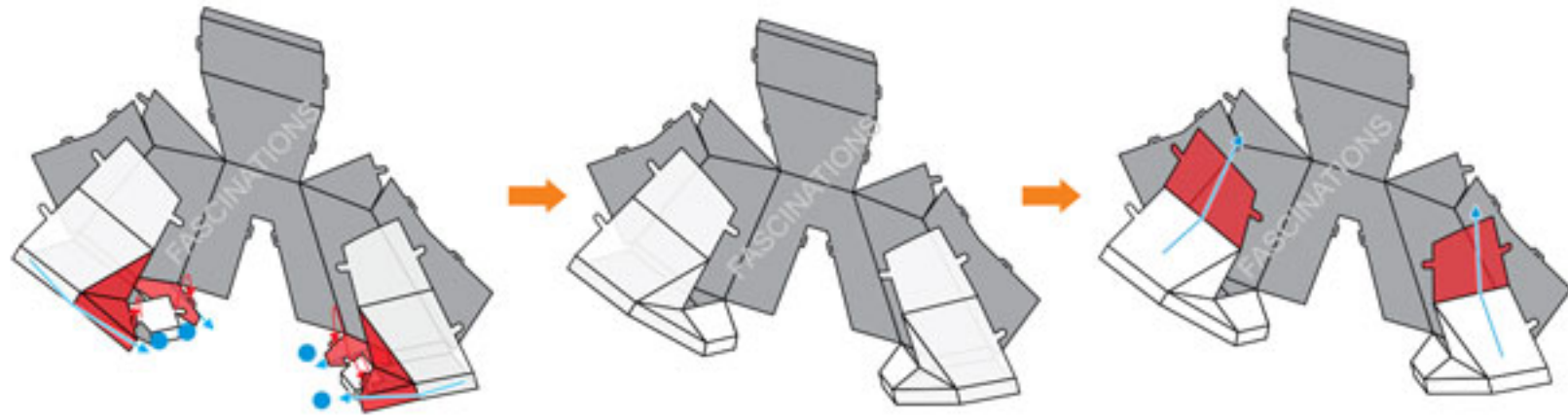
⚠ In order to avoid possible injury from sharp edges, please carefully discard the metal sheet after parts have been removed

Assembly Flow Chart





Note: This is perspective from the other side.



Note: This is perspective from the other side.

