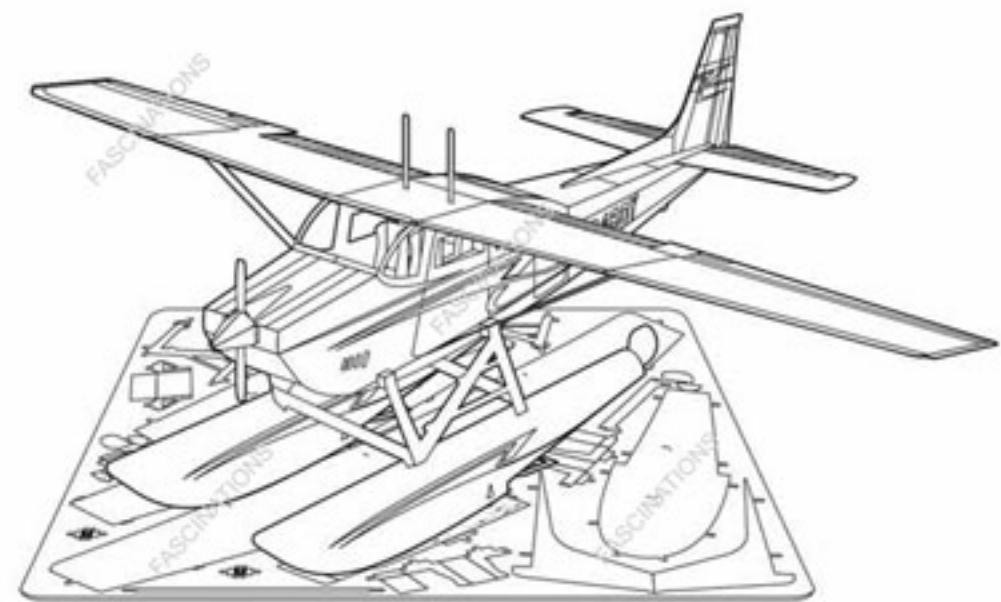


Metal Earth

3D METAL MODEL KITS



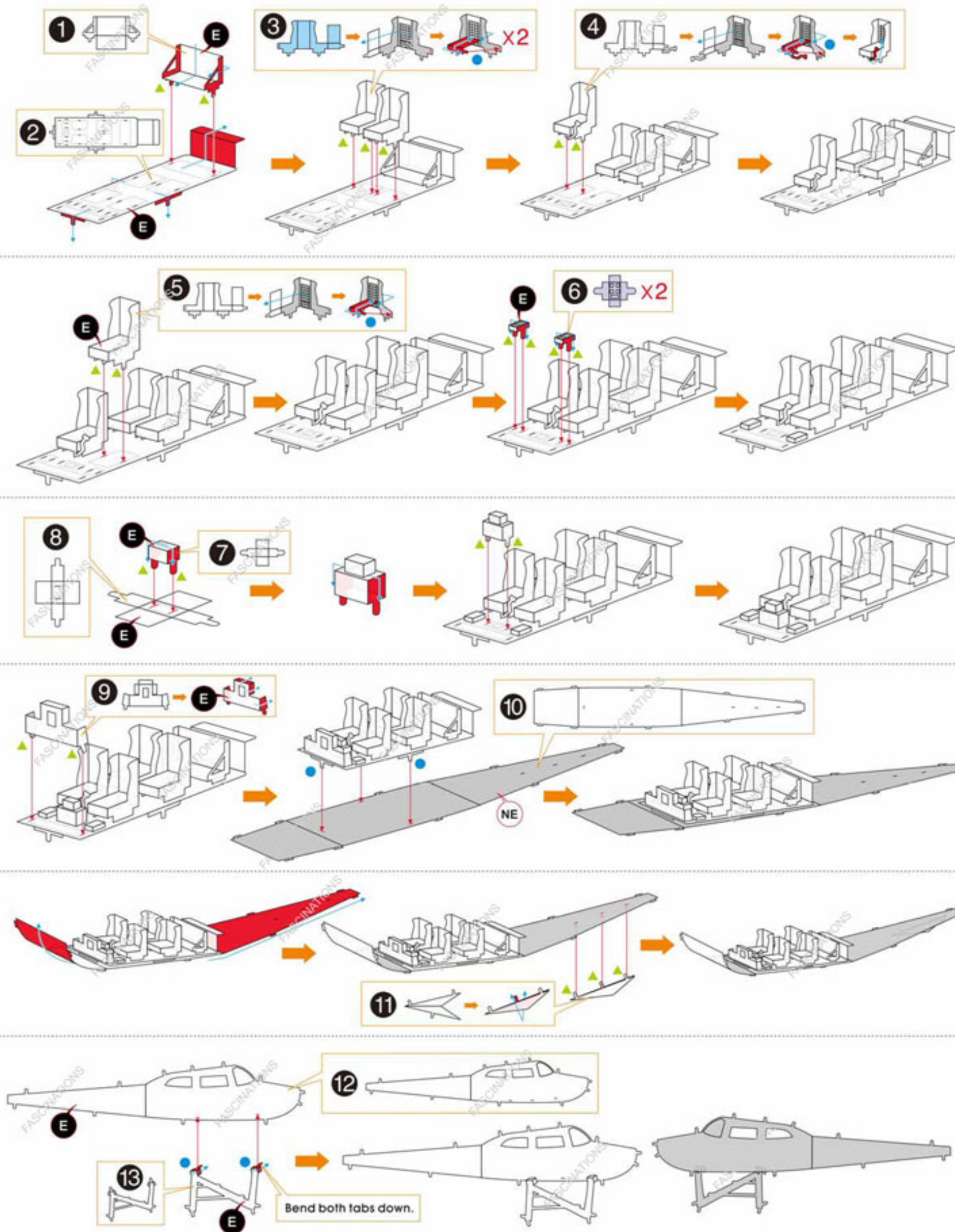
Cessna 182 Skylane
Item No. MMS111

360°
view



It is highly recommended that you visit www.metalearth.com/360/mms111 to see the completed model before assembling your own

Assembly Flow Chart



Legends:

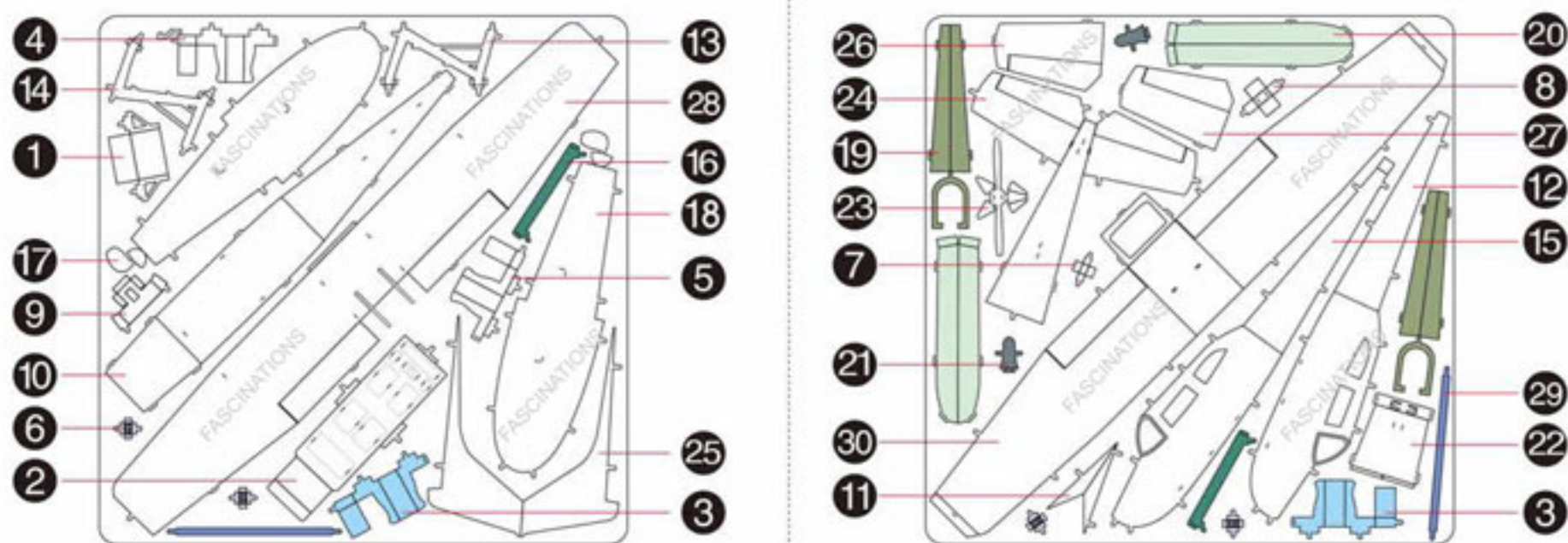
- E Engraved side color side
- NE Non-engraved side
- Attention point
- Insert tab and bend 90 degrees
- ▲ Insert tab and twist 90 degrees

Assembly tip:
If needed, slightly twist tabs to hold parts together then untwist and bend them down for a nice finish

Recommended tools:

- Wire cutters: helpful for taking parts from the metal sheets.
- Tweezers or needle nose pliers: helpful for folding parts, bending and twisting tabs.

Metal sheets



In order to avoid possible injury from sharp edges, please carefully discard the metal sheets after parts have been removed

