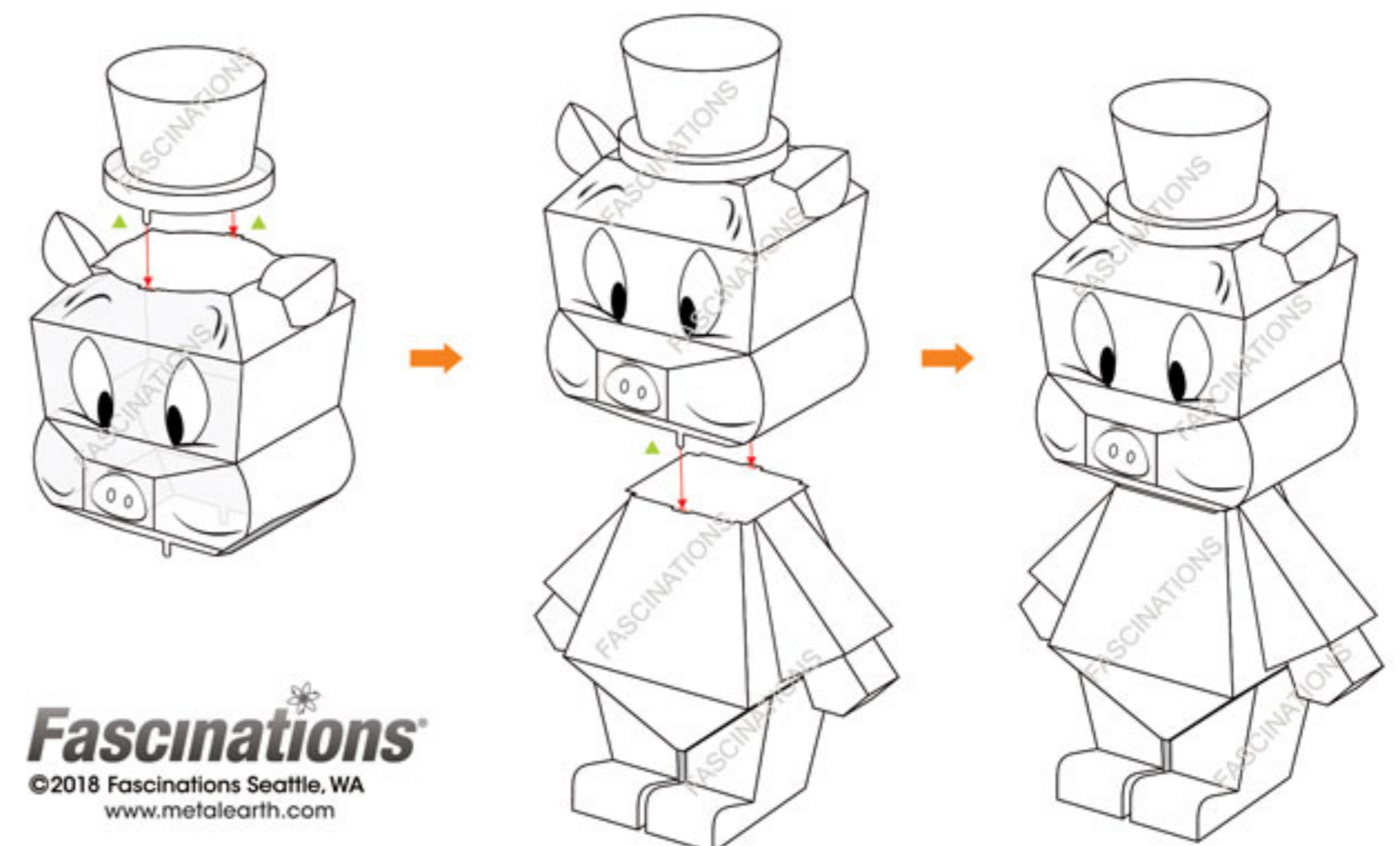
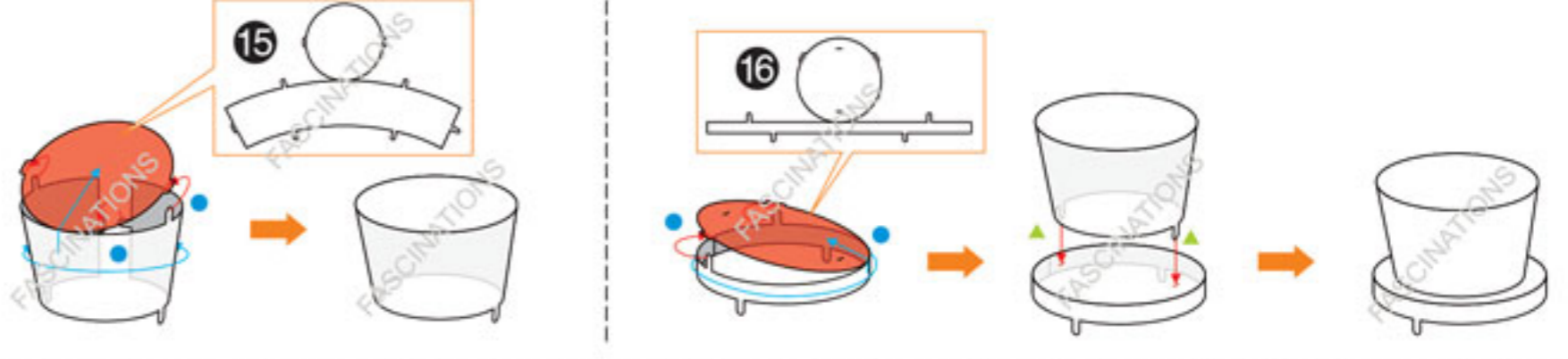
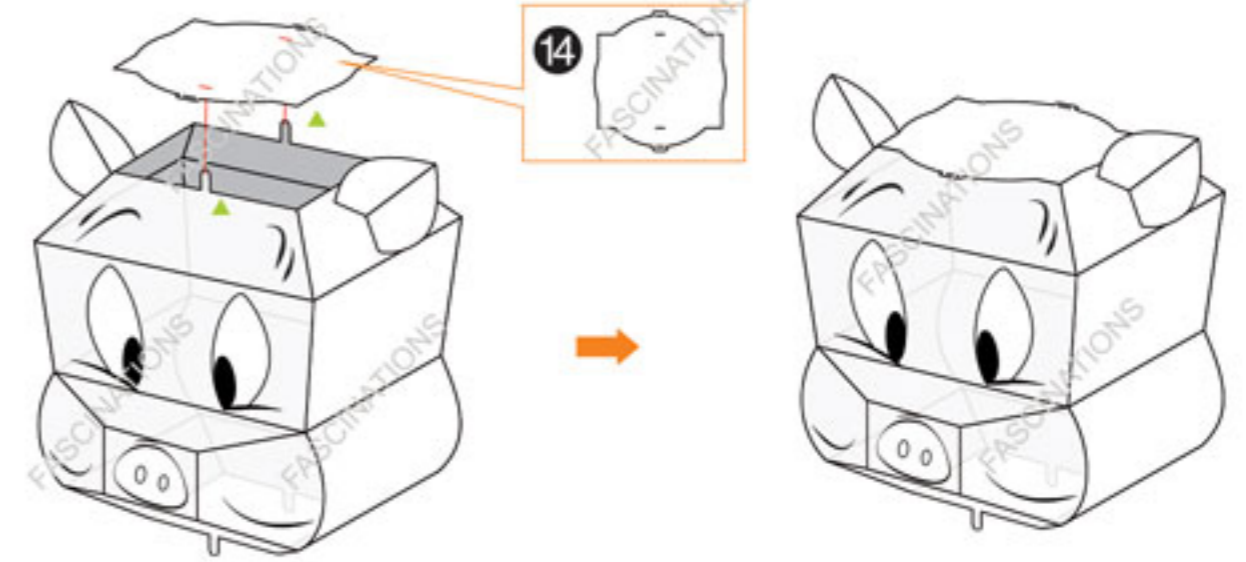
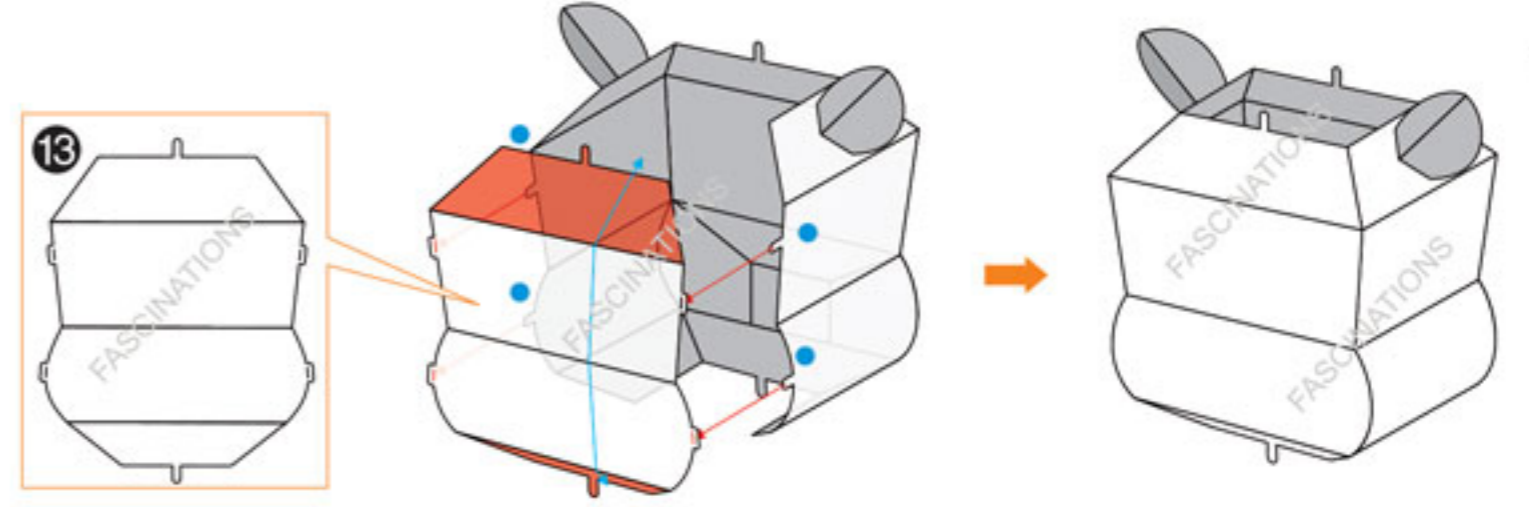
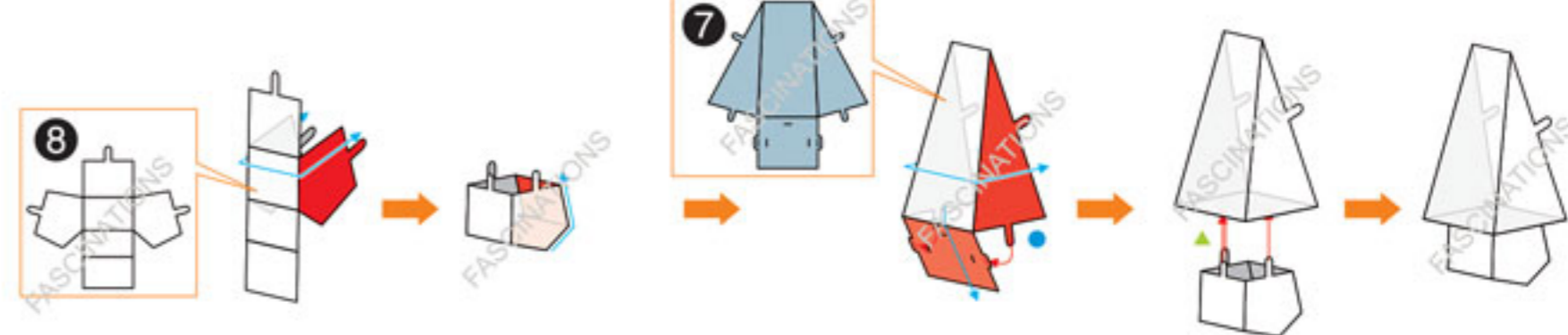
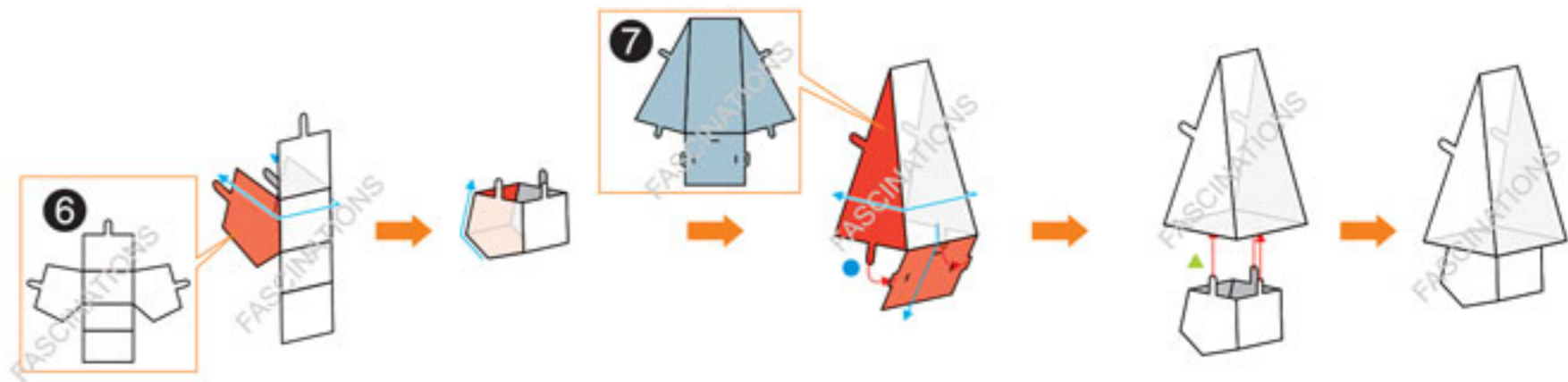
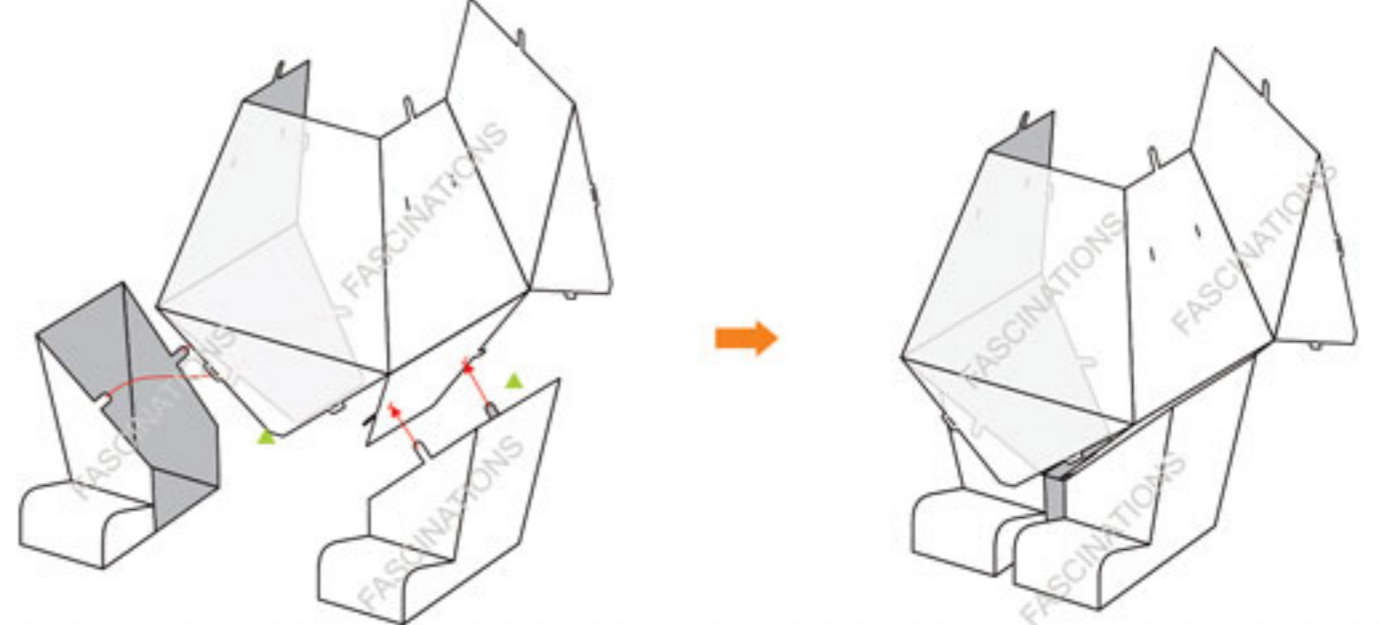
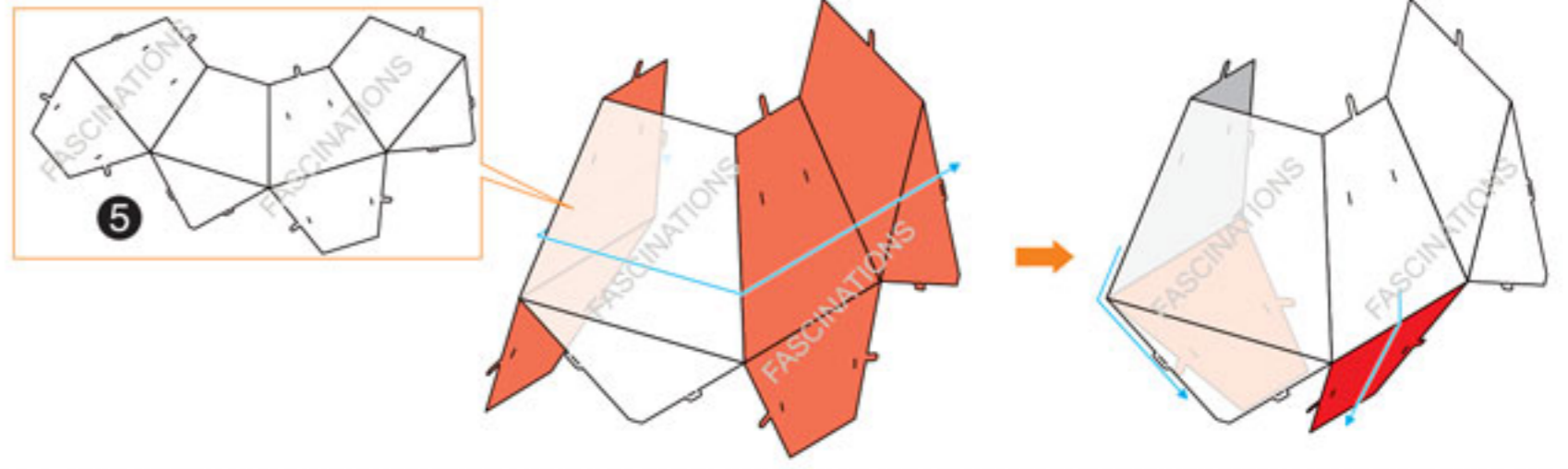
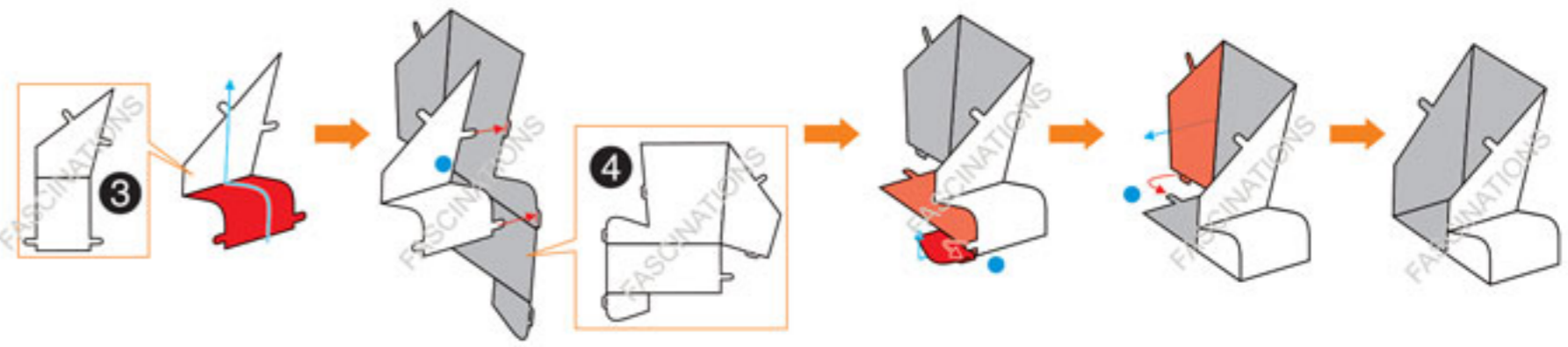
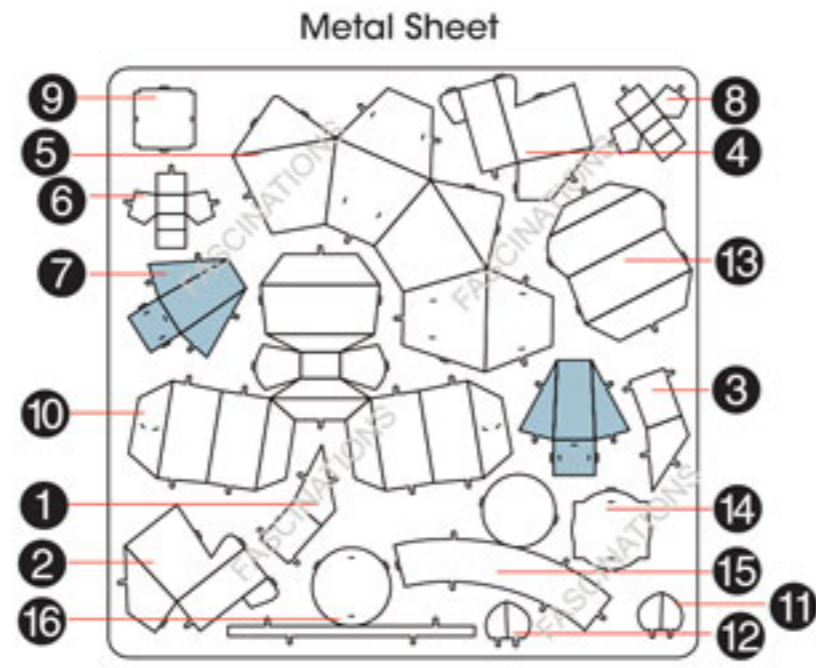


# Metal Earth. LEGENDS



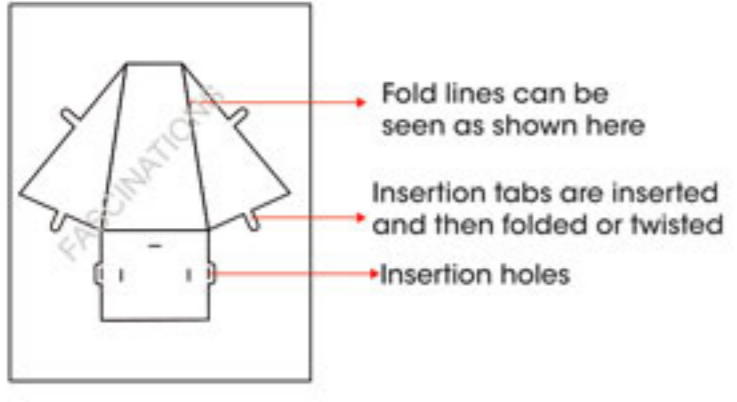
Poriky Pig



Tweezers or needle nose pliers are helpful for assembly.

To create the best connections

- Insert tab and bend 90 degrees for most visible areas
- ▲ Insert tab and twist 90 degrees is best in some areas to ensure a tight connection



360° view



It is recommended that you visit [www.metalearth.com/help/mem044](http://www.metalearth.com/help/mem044) for more information when assembling this model.

⚠ In order to avoid possible injury from sharp edges, please carefully discard the metal sheet after parts have been removed

## Assembly Flow Chart

