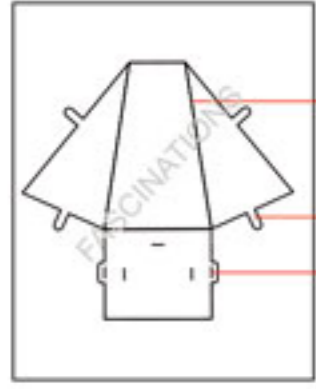
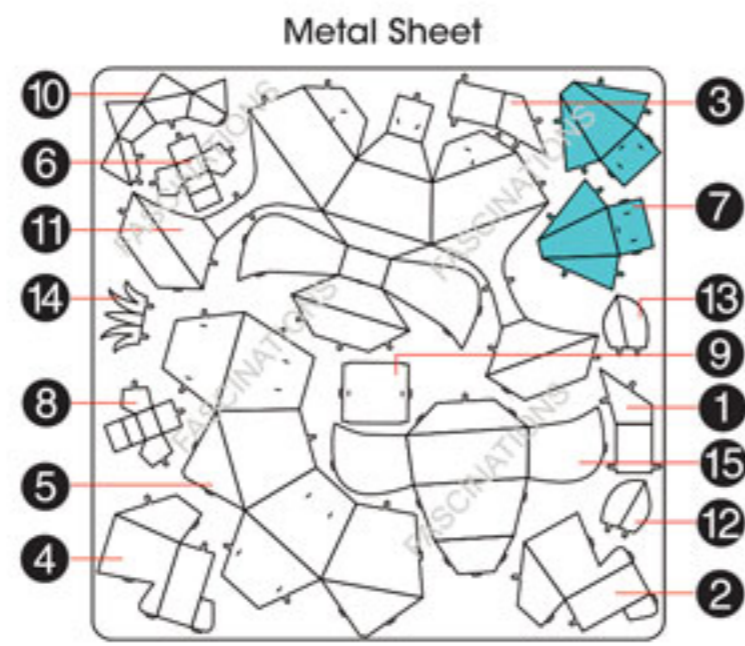


# Metal Earth. LEGENDS



Sylvester the Cat

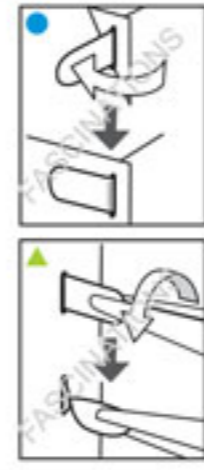


Fold lines can be seen as shown here  
Insertion tabs are inserted and then folded or twisted  
Insertion holes

Tweezers or needle nose pliers are helpful for assembly.

To create the best connections

- Insert tab and bend 90 degrees for most visible areas
- ▲ Insert tab and twist 90 degrees is best in some areas to ensure a tight connection



It is recommended that you visit [www.metalearth.com/help/mem045](http://www.metalearth.com/help/mem045) for more information when assembling this model.

⚠ In order to avoid possible injury from sharp edges, please carefully discard the metal sheet after parts have been removed

## Assembly Flow Chart

