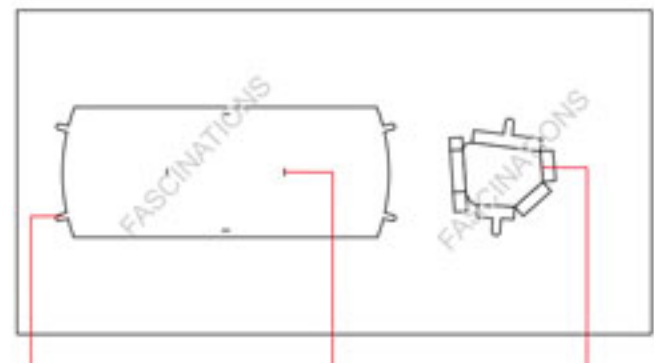


Stormtrooper Helmet™  
Item No. MMS316



It is highly recommended that you visit [www.metalearth.com/360/mms316](http://www.metalearth.com/360/mms316) to see the completed model before assembling your own



Insertion tabs are inserted and then folded  
Insertion holes  
Fold lines can be seen as shown here

**Legends:**

- E** Engraved side
- NE** Non-engraved side
- P** Painted side
- Attention point
- Insert tab and bend 90 degrees
- Insert tab and twist 90 degrees

**Assembly tip:**

If needed, slightly twist tabs to hold parts together then untwist and bend them down for a nice finish

**Recommended tools:**

-Wire cutters: helpful for taking parts from the metal sheets.



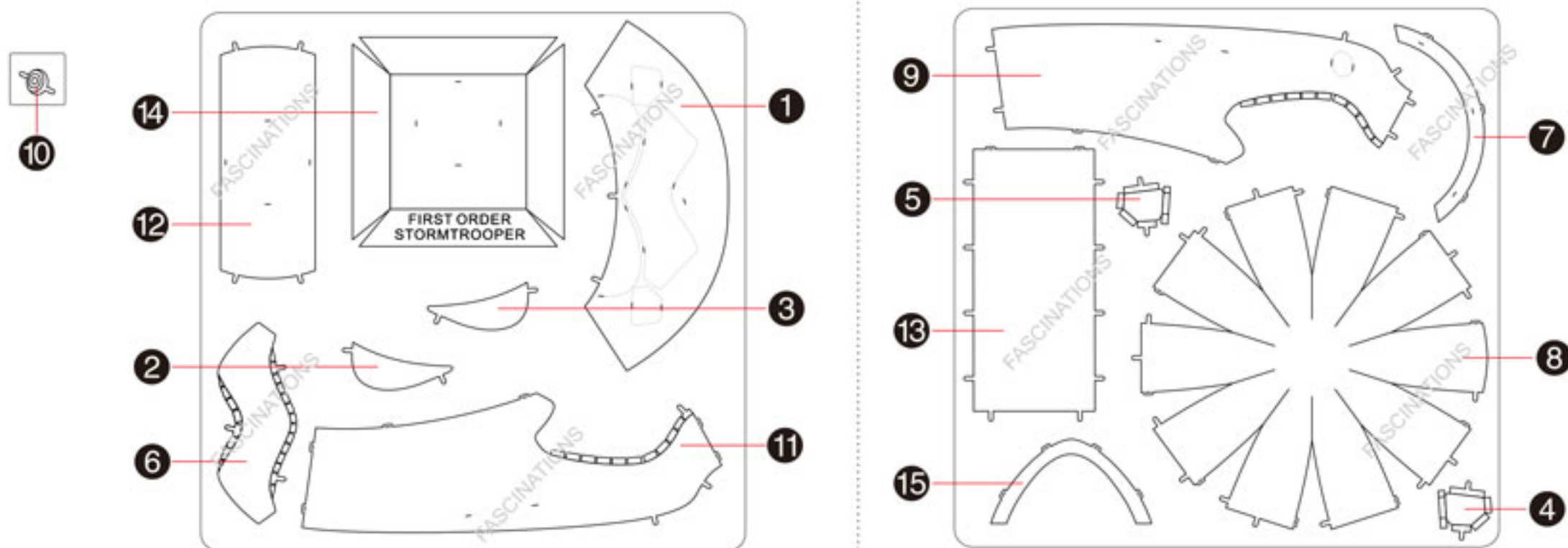
-Tweezers or needle nose pliers: helpful for folding parts, bending and twisting tabs.



**A**

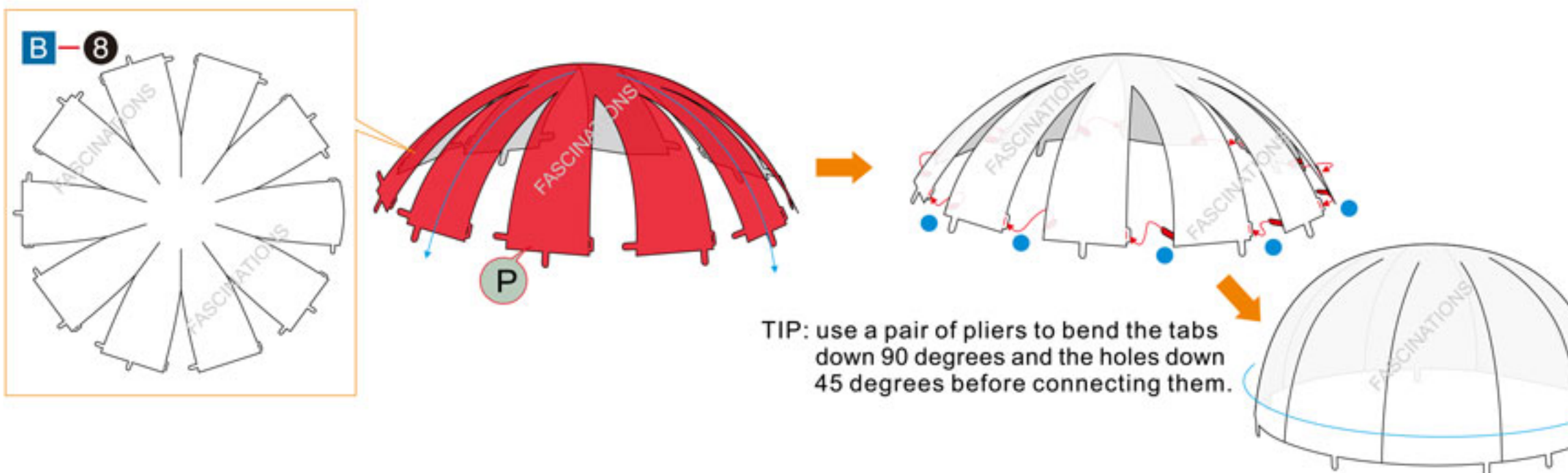
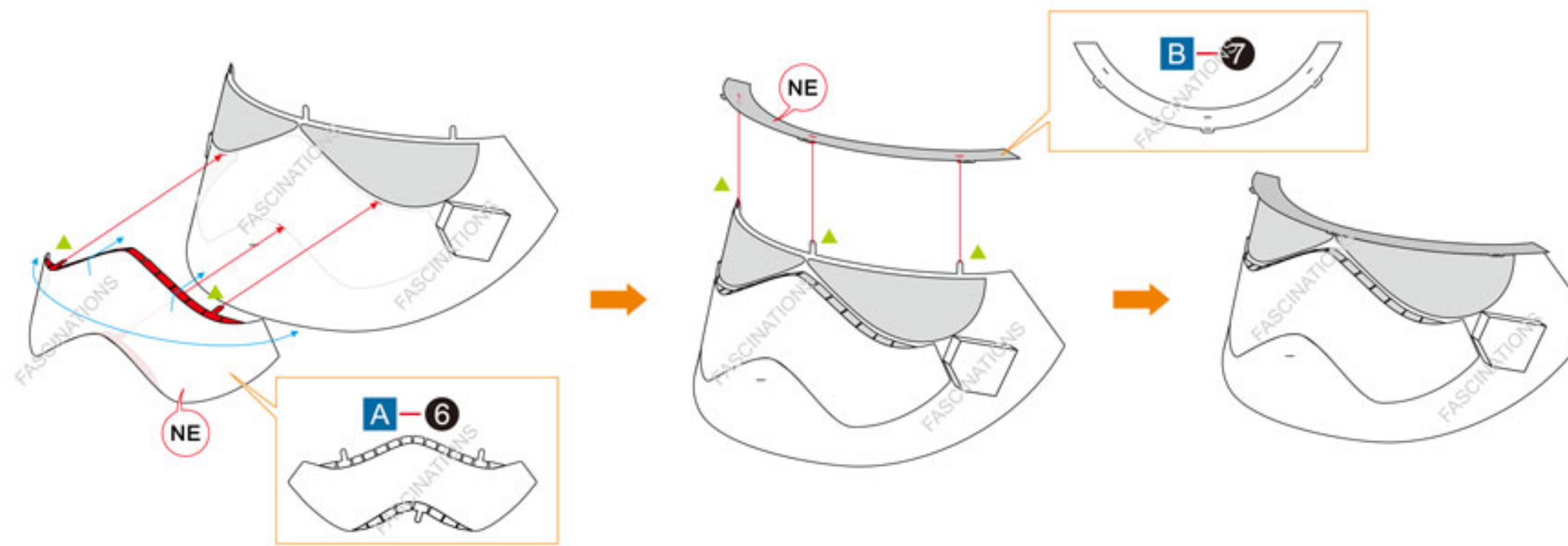
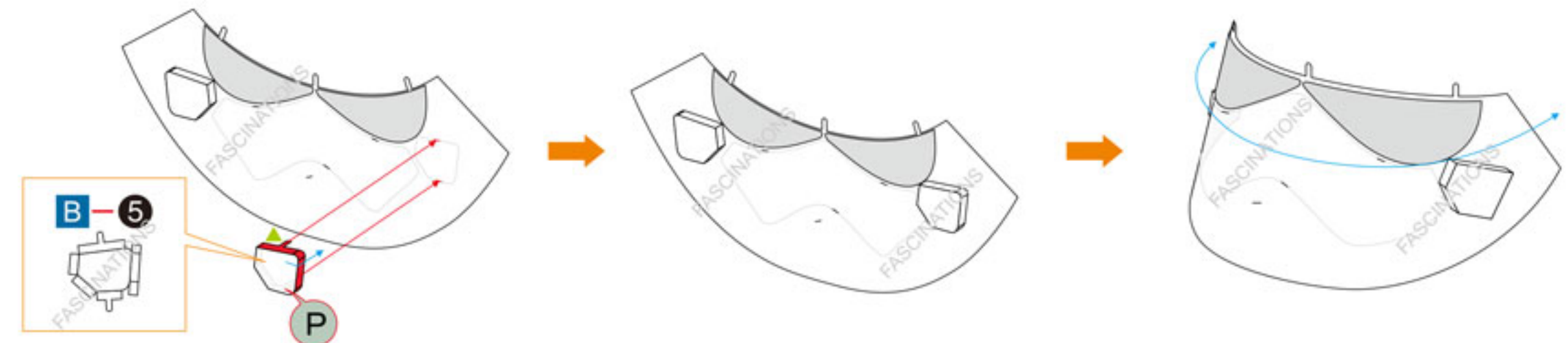
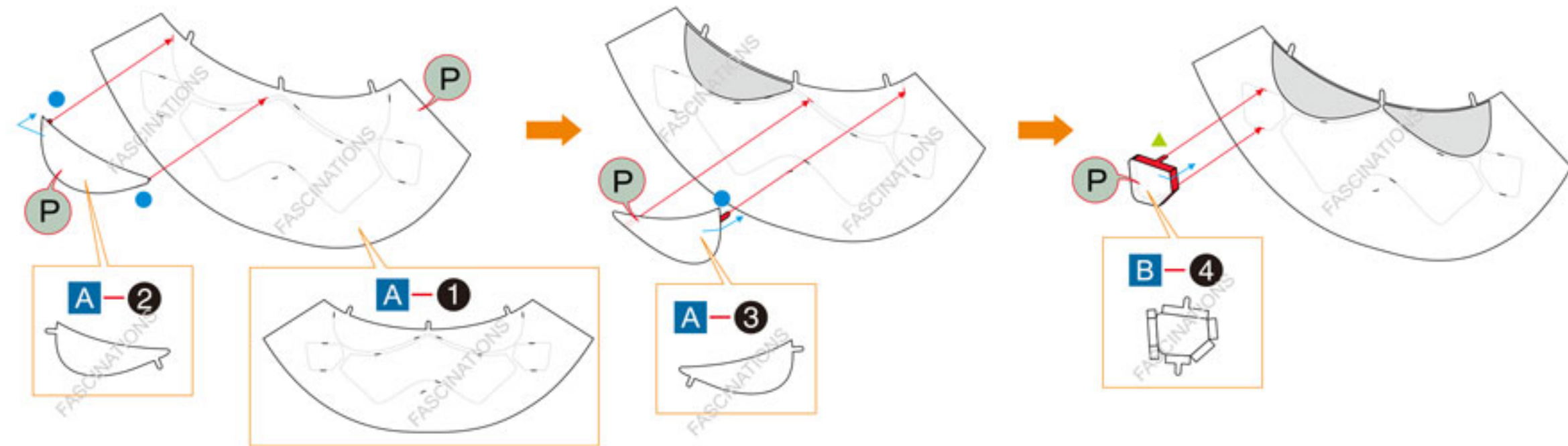
**Metal sheets**

**B**



In order to avoid possible injury from sharp edges, please carefully discard the metal sheets after parts have been removed

Assembly Flow Chart



TIP: use a pair of pliers to bend the tabs down 90 degrees and the holes 45 degrees before connecting them.



