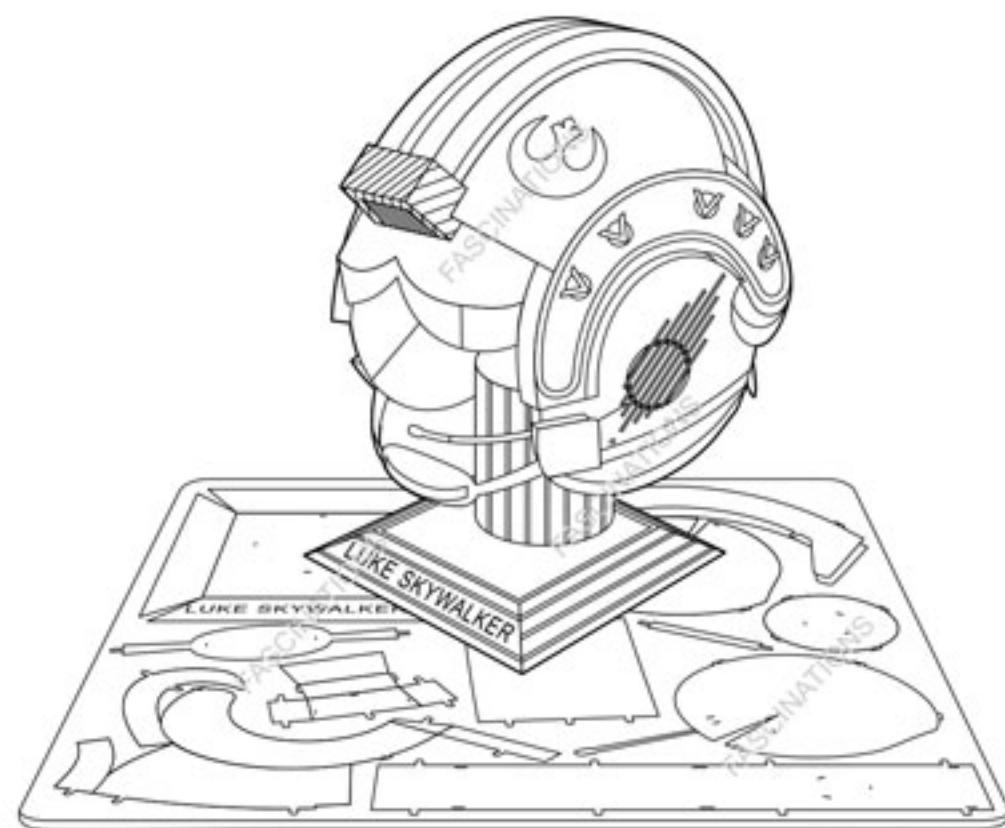




www.starwars.com  
© &™ Lucasfilm Ltd.

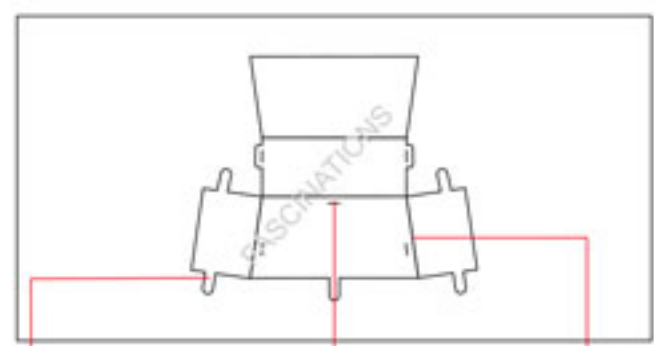
**Metal Earth.**  
3D METAL MODEL KITS



Luke Skywalker Helmet™  
Item No. MMS318



It is highly recommended that you visit [www.metalearth.com/360/mms318](http://www.metalearth.com/360/mms318) to see the completed model before assembling your own



Insertion tabs are inserted and then folded  
Insertion holes  
Fold lines can be seen as shown here

**Legends:**

- E** Engraved side
- NE** Non-engraved side
- P** Painted side
- Attention point
- Insert tab and bend 90 degrees
- Insert tab and twist 90 degrees

**Assembly tip:**

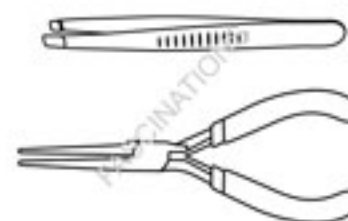
If needed, slightly twist tabs to hold parts together then untwist and bend them down for a nice finish

**Recommended tools:**

-Wire cutters: helpful for taking parts from the metal sheets.



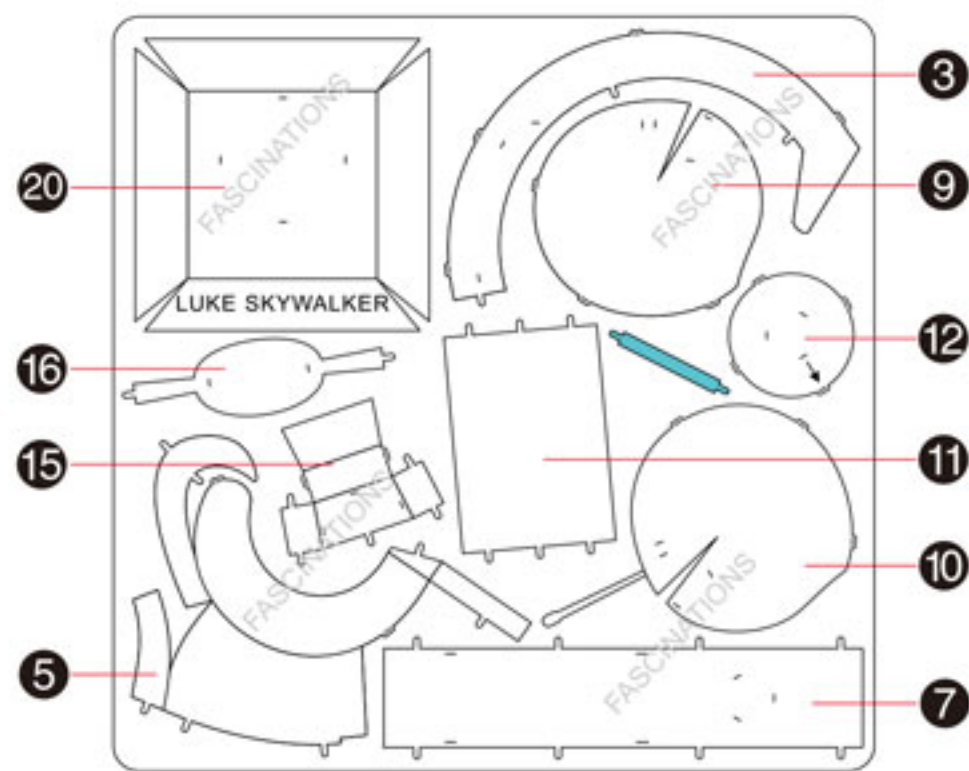
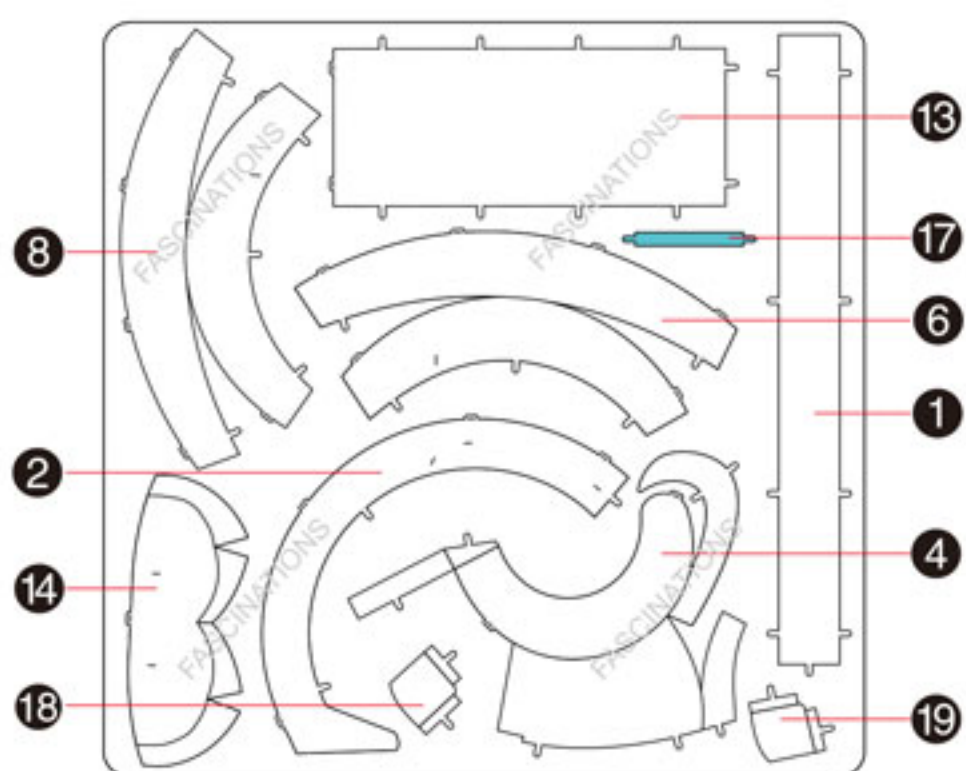
-Tweezers or needle nose pliers: helpful for folding parts, bending and twisting tabs.



**A**

**Metal sheets**

**B**



In order to avoid possible injury from sharp edges, please carefully discard the metal sheets after parts have been removed

**Assembly Flow Chart**

