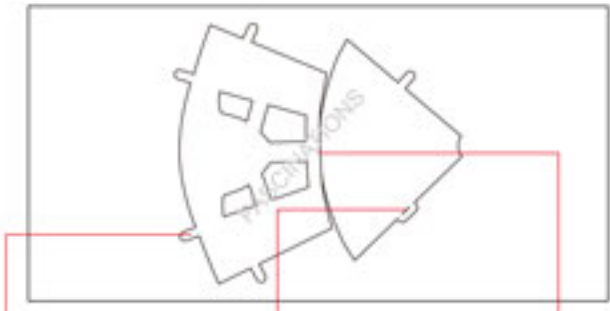


Rockwell B-1 Lancer  
Item No. MMS162



It is highly recommended that you visit [www.metalearth.com/360/mms162](http://www.metalearth.com/360/mms162) to see the completed model before assembling your own



Insertion tabs are inserted and then folded  
Insertion holes  
Fold lines can be seen as shown here

**Legends:**

- E** Engraved side
- NE** Non-engraved side
- Attention point
- Insert tab and bend 90 degrees
- Insert tab and twist 90 degrees

**Assembly tip:**

If needed, slightly twist tabs to hold parts together then untwist and bend them down for a nice finish

**Recommended tools:**

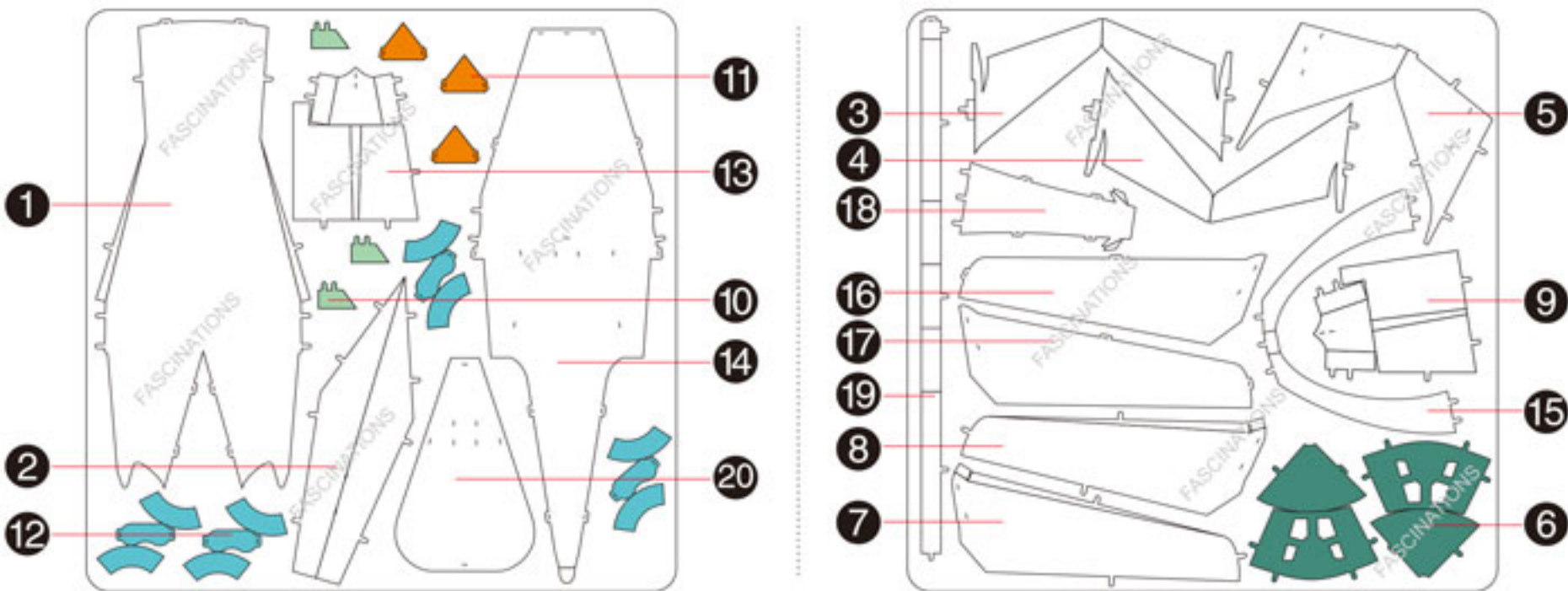
-Wire cutters: helpful for taking parts from the metal sheets.



-Tweezers or needle nose pliers: helpful for folding parts, bending and twisting tabs.



**Metal sheets**



In order to avoid possible injury from sharp edges, please carefully discard the metal sheets after parts have been removed

**Assembly Flow Chart**

