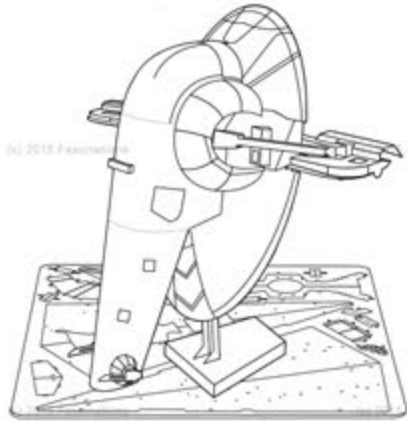


METAL EARTH™

3D LASER CUT MODELS



It is highly recommended that you visit www.fascinations.com/metalearth360/mms260 to see the completed model before assembling your own



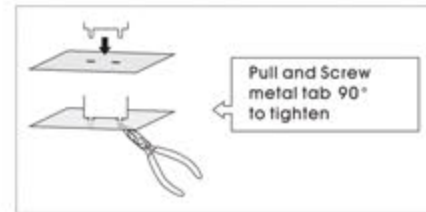
mms260

To create the best connections

Insert tab and bend 90 degrees for most visible areas

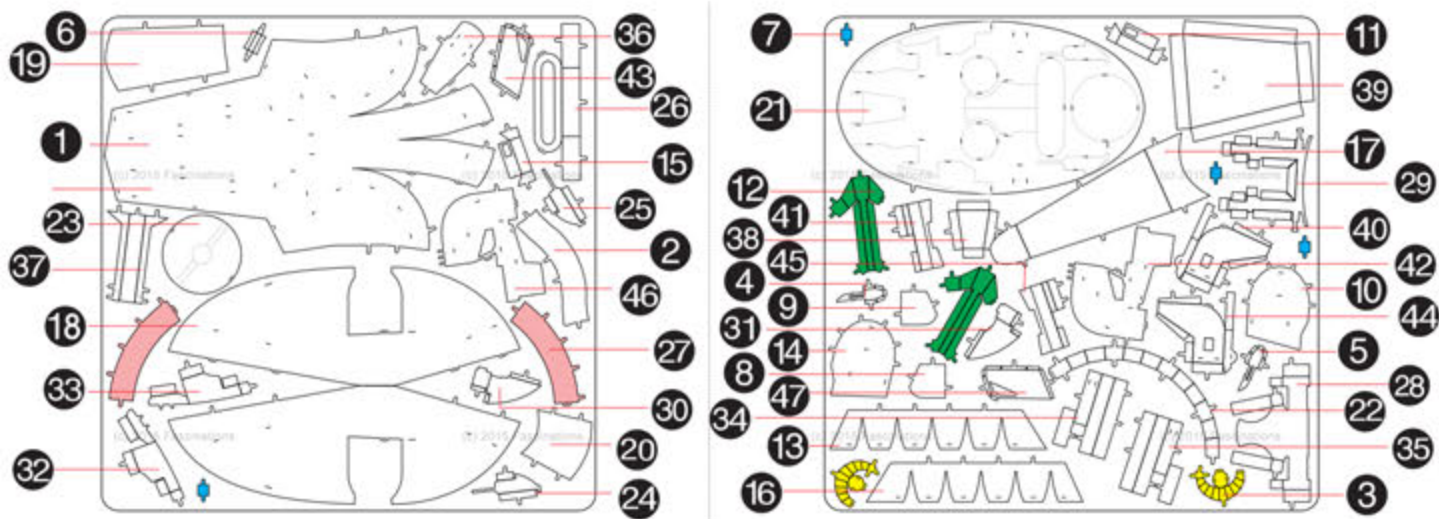
Insert tab and twist 90 degrees is best in some areas to ensure a tight connection

Needle nose pliers are helpful for assembly



Insertion tabs are inserted and then folded
Fold lines can be seen as shown here
Insertion holes

Metal sheets



In order to avoid possible injury from sharp edges, please carefully discard the metal sheet after parts have been removed

Assembly Flow Chart

