

STAR WARS

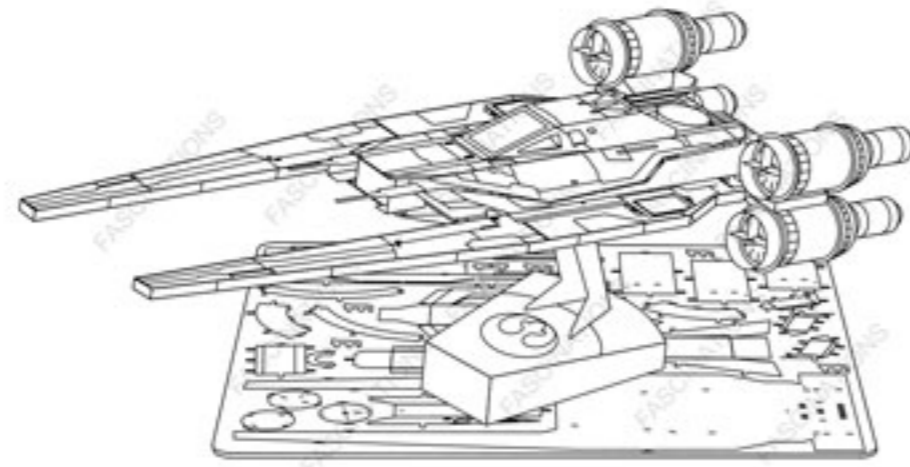
METAL EARTH[®]

3D METAL MODEL KITS

360°
view



It is highly recommended that you visit www.fascinations.com/metalearth360/mms272 to see the completed model before assembling your own



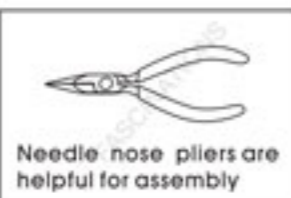
mms272

U-WING FIGHTER™

To create the best connections

Insert tab and bend 90 degrees for most visible areas

Insert tab and twist 90 degrees is best in some areas to ensure a tight connection

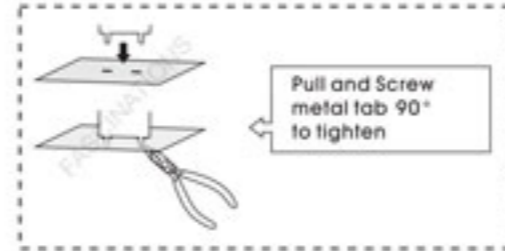


Legends:

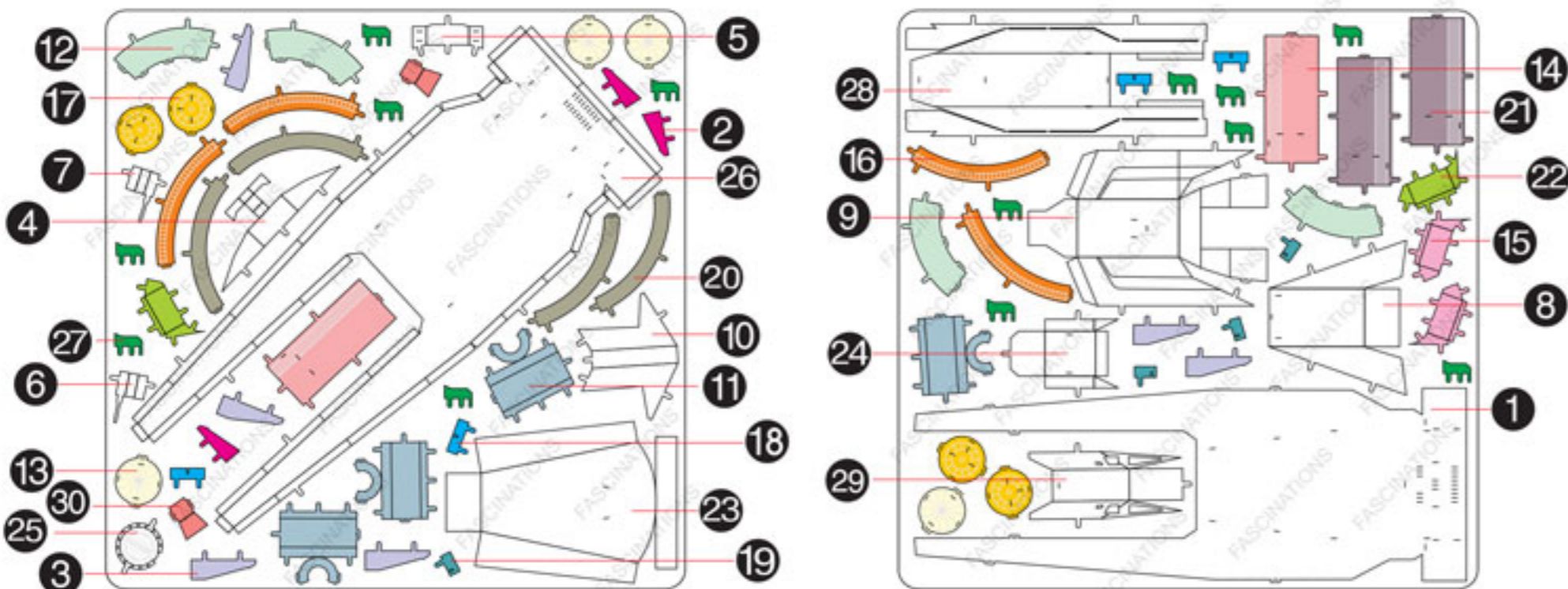
Engraved side

Non-engraved side

Attention point



Metal sheets



In order to avoid possible injury from sharp edges, please carefully discard the metal sheet after parts have been removed

Assembly Flow Chart

